



Features & Options

- Automatic Air Pressure and Temperature Compensation
- Optimized for Periodically Unoccupied Areas

The BAPI CO₂ Sensor in the BAPI-Stat 4 Enclosure is an accurate and reliable way of incorporating demand controlled ventilation into a building's HVAC strategy. It measures the CO₂ in a range of 0 to 2,000 ppm with a field selectable output of 0 to 5 or 0 to 10 VDC.

The non-dispersive infrared (NDIR) technology has been optimized for periodically unoccupied areas and features automatic background calibration over a long time period to reduce drift.

The BAPI unit also has continuous automatic air pressure compensation. Air pressure changes from altitude or weather patterns can affect the output of CO₂ sensors, even putting them outside of their specified accuracy. The BAPI unit has a built-in barometric sensor that continuously compensates the output for accurate readings despite the weather or the altitude of the installation. Because of this feature, the BAPI CO₂ sensor received a 2012 AHR Expo Innovation Award.

Optional indication of the CO₂ level as "Good, Fair or Poor" is available as a three-color LED on the front of the unit.



CO₂ Sensors in the BAPI-Stat 4 Enclosure

The bottom unit has the CO₂ Level of "Good, Fair or Poor" shown by a 3-color LED.

Specifications

Power:

18 to 28 VAC, 2 VA Max
12 to 32 VDC, 200 mA Max
(12 VDC Recommended)

Sensing Elements:

CO₂: Single Beam Non-Dispersive Infrared (NDIR)

Selectable Output:

0 to 2,000 PPM CO₂ at 0 to 5 or 0 to 10 VDC

Termination: 3 Terminals, 16 to 22 AWG

Wiring: 2 Pair

Operating Environment:

32 to 122°F (0 to 50°C)
0 to 95%RH non-condensing

Enclosure Material:

ABS Plastic, Material Rated UL94V-O

CO₂ Detection Range: 0 to 2,000 ppm

Start-Up Time: 10 Minutes

Response Time:

Less Than 5 Minutes (after Start-Up Time)

Mounting: 2"x4" J-Box or drywall – screws provided

CO₂ Accuracy: (Automatic Background Calibration)

400 to 1,250 ppm: ±30ppm or 3% of reading,
whichever is greater

1,250 to 2,000 ppm: ±5% of reading + 30ppm

Optional LED CO₂ Level Indicator:

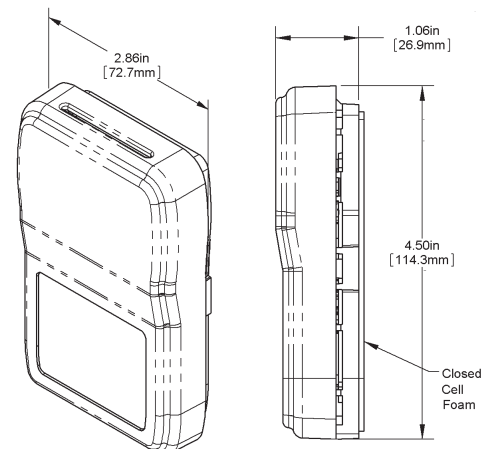
Good, Green < 1,000 PPM
Fair, Orange = 1,000 to 1,500 PPM
Poor, Red > 1,500 PPM

Certifications:

RoHS

Warranty Period:

2 Years from manufacture date



CO₂ Sensor in the BAPI-Stat 4 Enclosure





CO₂ Room Sensor, BAPI-Stat 4 Enclosure

D13

Rev. 10/16/12

Air Quality Sensors

Ordering Information		CO ₂ Room Sensor in the BAPI-Stat 4 Enclosure for Periodically Unoccupied Areas	
BA/BS4			
	CO₂ Output		
	-ACD05	CO ₂ as 0 to 2,000 PPM, 0 to 5 VDC output, Automatic Background Calibration for areas that are periodically unoccupied	
	-ACD10	CO ₂ as 0 to 2,000 PPM, 0 to 10 VDC output, Automatic Background Calibration for areas that are periodically unoccupied	
		CO₂ Level Indication (Must select one)	
	-LED	Green/Orange/Red LED on Logo Plate to Indicate CO ₂ PPM Level. Includes Legend for Good, Fair and Poor.	
	-BNK	No LED, No Legend	
EXAMPLE			
BA/BS4	-ACD05	-LED	
Example Part Number: BA/BS4-ACD05-LED			
Your Part Number:			

Call BAPI if you have questions about the above ordering/pricing grid or the configuration of the product you are ordering.

