

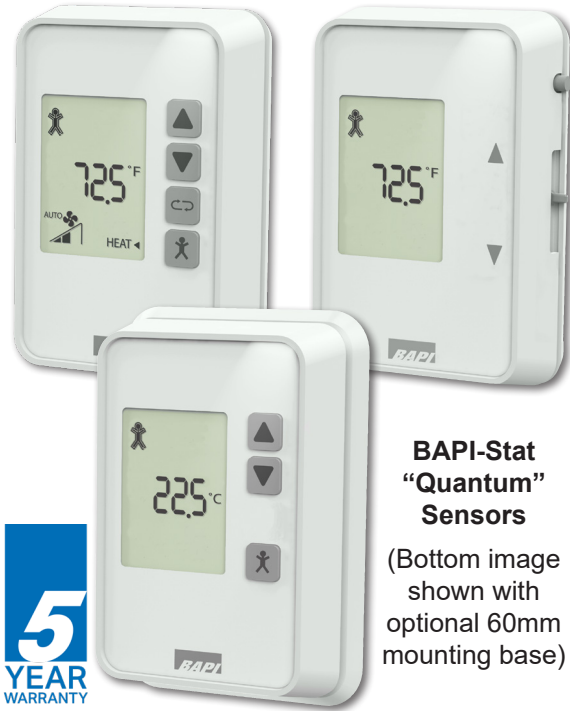


Features & Options

- BAPI-Stat "Quantum" Enclosure Style with Higher Contrast Display for Improved Clarity at Greater Distances
- Pushbutton or Slider Setpoint Adjustment
- Large Display with Multiple Indicators and Icons
- Optional Fan Speed and Mode Control

The BAPI-Stat "Quantum" room temperature sensors feature a modern enclosure style with pushbutton or slider setpoint adjustment and override. The LCD can display both temperature as well as room occupancy status. The display has been upgraded for higher contrast, providing improved clarity at greater distances.

The unit is available with optional occupancy override, comm jack and fan speed and mode control for applications with fan coils, heat pumps or unit ventilators. A 60mm mounting base is also available to fit European style junction boxes.



**BAPI-Stat
"Quantum"
Sensors**

(Bottom image shown with optional 60mm mounting base)

Specifications

Power for 24 VDC Power Units (default):

0 to 5 VDC Setpoint or Resistive Setpoint:
9 to 40 VDC (24 VDC nominal)

0 to 10 VDC Setpoint or Resistive Setpoint:
15 to 40 VDC (24 VDC nominal)

Any Allowed Setpoint: 15 to 28 VAC (24 VAC nominal)
Note: AC power requires a separate pair of shielded wires.

Power for Optional 5 VDC Power Units:

0 to 5 VDC Setpoint or Resistive Setpoint:
5VDC, +/-1% nominal, Input regulation affects accuracy

Power Consumption: 13 mA max DC; .32 VA max AC

Sensing Element:

Thermistor or RTD (See Sensors Sect. for Specs.)

Wiring: 2 to 6 pair of 16 to 22AWG*

Mounting:

Standard 2"x4" junction box, European junction box or drywall mount (screws provided)

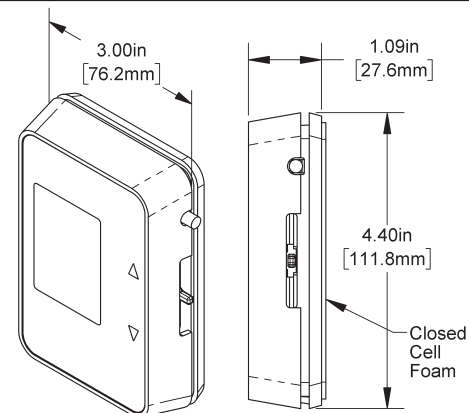
Environmental Operation Range:

Temperature: 32 to 122 °F (0 to 50 °C)
Humidity: 0 to 95%, non-condensing

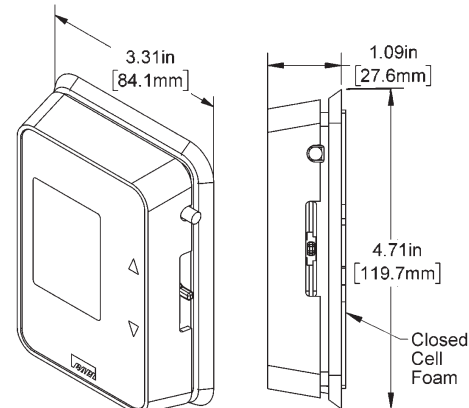
Enclosure Material: ABS Plastic, UL94 V-0

Agency: CE EN 61326-1:2013 EMC, RoHS

*BAPI recommends that you do not run wiring for the Room Units in the same conduit as line voltage wiring or with wiring used to supply highly inductive loads such as motors, generators and coils. Also, these units are not designed for line voltage applications.



Unit with Standard Mounting Base



Unit with 60mm Mounting Base
(Fits European wall boxes and junction boxes with 60mm mounting centers)



BAPI-Stat "Quantum" with Display

Temperature Sensors

Submittal sheets without List Prices are available on our website at www.bapihvac.com

Use the Option Selection Guide below to create your custom part number. Replace the number and parenthesis with the designator for each selection.

BAPI-Stat "Quantum" Temperature Sensor Option Selection Guide:

BA/TQ (#1) - (#2) - (#3) - (#4) (#5) - (#6) - (#7) Unit w/ Standard Mounting Base

BA/TQ60 (#1) - (#2) - (#3) - (#4) (#5) - (#6) - (#7) Unit w/ 60mm Mounting Base

#1: Display (required)

- F Temperature Displayed in °F \$125
- C Temperature Displayed in °C \$125

#2: Temperature Sensor (required)

- A 1K Platinum RTD (385 curve)
- B 10K-2 Thermistor
- C 10K-3 Thermistor
- D 10K-3[11K] Thermistor
- E 20K Thermistor
- F 1.8K Thermistor
- G 1K Ω Nickel RTD \$39
- H 3K Thermistor
- ES..... External Sensor for Display Only, Order 10K-2 Thermistor Separately

#3: Setpoint Adjustment (required)

- 1 Slider Setpoint Adjustment
- 2 Pushbutton Setpoint Adjustment
- X No Setpoint Adjustment

#4: Setpoint Display Range (required)

- A -3 to +3
- B -5 to +5
- C 50 to 90 °F or 10 to 32 °C
- D 55 to 85 °F or 13 to 30 °C
- E 60 to 80 °F or 15 to 27 °C
- F 65 to 80 °F or 18 to 27 °C
- X No Setpoint Adjustment

Additional options are available for these units but not shown in this Selection Guide. Contact your BAPI representative for the complete list of options. Submittal sheets without List Prices can be downloaded from our website at www.bapihvac.com

#5: Setpoint Output Range (required)

- 00 0 to 5 V
- 10 0 to 10 V
- 40 0 to 1 KΩ
- 60 0 to 10 KΩ
- 80 0 to 20 KΩ
- 81 4.75 K to 24.75 KΩ
- 82 6.19 K to 26.19 KΩ
- 84 10 K to 30 KΩ
- X No Setpoint Adjustment

#6: Occupant Override (required)

- J Override as a Separate Output
- N Override in Parallel (//) with Sensor
- P Override in Parallel (//) with Setpoint
- X No Override

#7: Optional Selections* (optional)

- A Differential Ground
- B Comm Jack C35 \$10
- C Comm Jack C11 \$20
- D Comm Jack C22 \$25
- E 5 Volt Input Power
- F Test & Balance Switch \$7.50
- G XLD Fan Speed Adjustment
- H X01 Fan Speed Adjustment
- I X02 Fan Speed Adjustment
- J X06 Fan Speed Adjustment
- K HCF Heat/Cool Mode Control
- L H01 Heat/Cool Mode Control

*When more than one is selected, put in alphabetical order. Only one Fan Speed or Mode Control option can be selected. Additional Optional Selections and descriptions can be found on page I4.

Example Number:

BA/ TQ(F) - (B) - (1) - (C) (80) - (J)

Actual Number (with brackets removed): BA/TQF-B-1-C80-J

Description: BAPI-Stat "Quantum" Room Temperature Sensor with Standard Mounting Plate, °F Display, 10K-2 Thermistor Temperature Sensor, Slider Setpoint Adjustment, 50 to 90°F Setpoint Display Range, 0 to 20KΩ Setpoint Output Range, Override as a Separate Output, No additional optional selections.

List Price: \$125 (Base Price) = \$125 List Price

Your Number: BA/

