



Features & Options

- Optional Setpoint, Override and Communication Jack
- Available Pressure Pickup Port
- Limited Lifetime Warranty

Enclosure Style

The BAPI-Stat "Quantum" sensors without display feature a modern enclosure style with optional slider setpoint adjustment and override. A 60mm mounting base is also available to fit European style junction boxes.

Setpoint

Setpoint is available as a slidepot in various ranges.

Override

Optional discreet momentary signal that can be configured to be compatible with any controller.

Communication Jack

Available with a 3.5mm phono plug style jack.

Pressure Pickup Port

Pressure Pickup Ports are available for units without setpoint or override. See "Pressure Pickup Ports" in the Pressure Section for ordering.



Specifications

Sensing Element:

Thermistor or RTD
(See Sensors Section for Specifications.)

Wiring: 16 to 22 AWG

Environmental Operation Range:

Temperature: 32 to 122 °F (0 to 50 °C)
Humidity: 0 to 95%, non-condensing

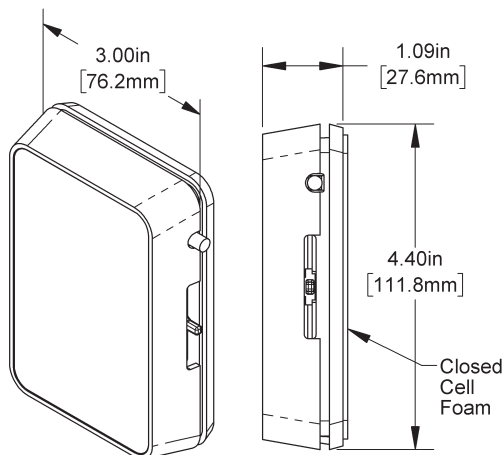
Enclosure Material:

ABS Plastic, UL94 V-0

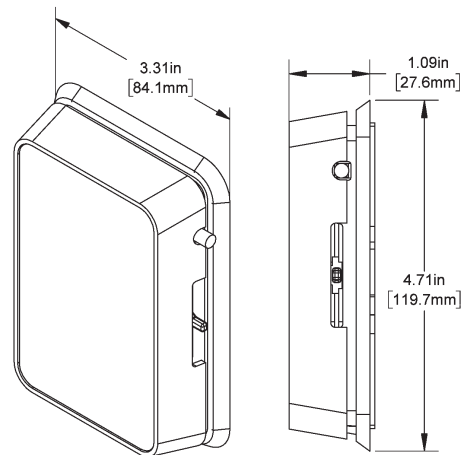
Mounting:

Standard 2"x4" junction box, European junction box or drywall mount (screws provided)

Agency: CE EN 61000-6-2 EMC, RoHS



BAPI-Stat "Quantum"
(with Standard Mounting Base)



BAPI-Stat "Quantum"
(with 60mm Mounting Base)



BAPI-Stat "Quantum" Without Display

B17

Temperature Sensors

Submittal sheets without List Prices are available on our website at www.bapihvac.com

Use the Option Selection Guide below to create your custom part number. Replace the number and parenthesis with the designator for each selection. Skip the designator and dashes for optional selections that are not required in your configuration.

BAPI-Stat "Quantum" Without Display Option Selection Guide:

BA/ (#1) - (#2)(#3)(#4) - (#5) - (#6) - (#7)

#1: Temperature Sensor (required)

1K[375].....	1K Platinum RTD (375 curve)....	\$25
1K[NI].....	1K Ω Nickel RTD	\$35
1K.....	1K Platinum RTD (385 curve)....	\$25
1.8K.....	1.8K Thermistor.....	\$18
3K.....	3K Thermistor.....	\$18
10K-2.....	10K-2 Thermistor	\$18
10K-3.....	10K-3 Thermistor	\$18
10K-3[11K].	10K-3[11K] Thermistor	\$18
20K.....	20K Thermistor.....	\$18

#2: Room Sensor Style (required)

BQ.....	BAPI-Stat "Quantum" Standard Base..	\$7
BQEU....	BAPI-Stat "Quantum" 60mm Base ...	\$7

#3: Setpoint Output Range (optional)

60.....	0 to 10 KΩ.....	\$6
80.....	0 to 20 KΩ.....	\$6
81.....	4.75 K to 24.75 KΩ.....	\$6
82.....	6.19 K to 26.19 KΩ.....	\$6
84.....	10 K to 30 KΩ.....	\$6

#4: Setpoint Legend

(Required for units with Setpoint)
L8..... Up/Down Arrows

#5: Override (required)

J.....	Override as a Separate Output....	\$5
N.....	Override in Parallel with Sensor...	\$5
P.....	Override in Parallel w/ Setpoint....	\$5
Z.....	No Override	

#6: Communication Jack (optional)

C35.....	3.5mm Phono Style Jack	\$7
----------	------------------------------	-----

#7: Common or Differential Gnd (required)

CG.....	Common Ground	
DF.....	Differential Inputs	

Additional options are available for these units but not shown in this Selection Guide. Contact your BAPI representative for the complete list of options.

Pressure Pickup Ports are available for units without Setpoint or Override. See "Pressure Pickup Ports" in the Pressure Section for ordering.

Example Number: BA/ (10K-2) - (BQ)(80)(L8) - (N) - (C35) - (CG)

Actual Number (with parenthesis removed): BA/10K-2-BQ80L8-N-C35

Description: 10K-2 Thermistor, BAPI-Stat "Quantum", 0 to 20K Setpoint Output Range, Override in Parallel with Sensor, C35 Comm. Jack, Common Ground Configuration

List Price:

\$18 (Thermistor) + \$7 (Enclosure) + \$6 (Setpoint) + \$5 (Override) + \$7 (Comm. Jack) = \$43 List Price

Your Number: BA/

