



Rev. 11/23/20

BAPI-Stat 4 Trim Ring

G15

Accessories for HVAC/R

Overview

The BAPI-Stat 4 Trim Ring provides a professionally finished appearance for the BAPI-Stat 4 Room Enclosures. If you are using back boxes, the trim ring covers any wall imperfections between the back box and the wall.

To install, place the trim ring on the wall, nest the BAPI Stat 4 mounting base into the ring and attach everything to the wall with the BAPI-Stat 4 mounting screws. The BS4 trim ring only adds 0.07 inches (1.7 mm) to the depth of the BAPI Stat 4.

ORDERING INFORMATION

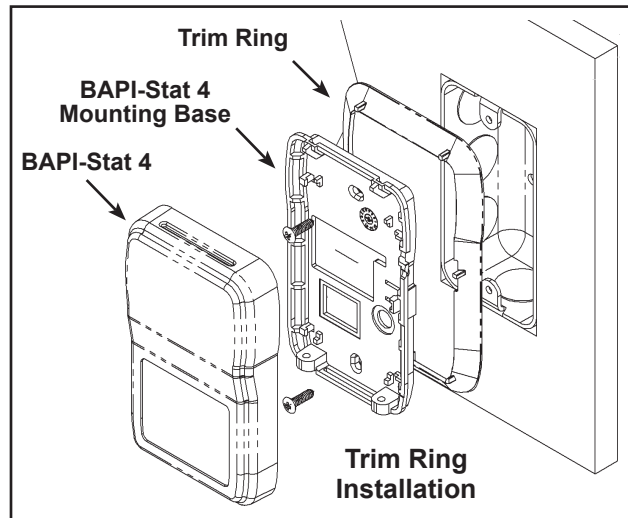
BA/BS4-TR-BW BAPI-Stat 4 Trim Ring, Bright White Color

BA/BS4-TR BAPI-Stat 4 Trim Ring, Beige Color

See end of Sect. E for list pricing.



BAPI-Stat 4 Trim Ring



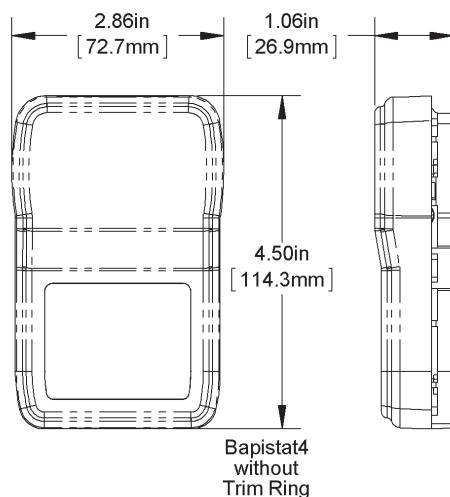
BAPI-Stat 4 Unit with and without Trim Ring

Specifications

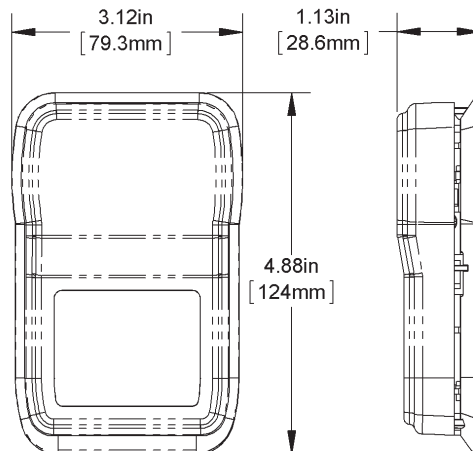
Material: ABS plastic, Flame-retardant, UL 94, V-0

Temperature: 32 to 122°F (0 to 50°C)

Humidity: 0 to 95%, non-condensing



Bapistat4 without Trim Ring



Bapistat4 with Trim Ring

