



Rev. 11/23/20

# BAPI-Stat 4 Trim Ring

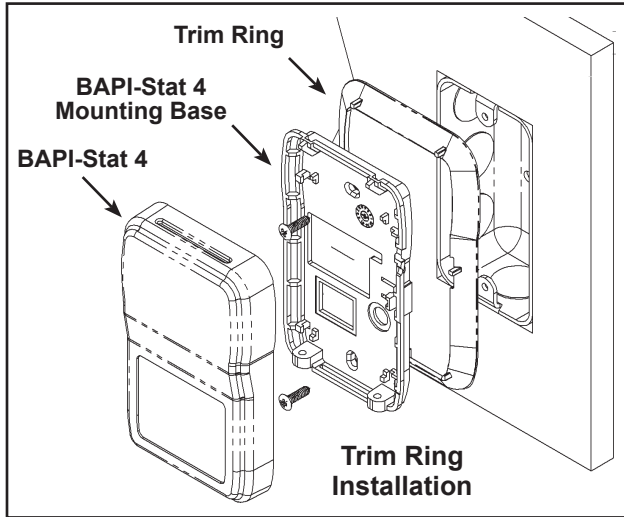
# F27

Accessories for HVAC/R

## Overview

The BAPI-Stat 4 Trim Ring provides a professionally finished appearance for the BAPI-Stat 4 Room Enclosures. If you are using back boxes, the trim ring covers any wall imperfections between the back box and the wall.

To install, place the trim ring on the wall, nest the BAPI Stat 4 mounting base into the ring and attach everything to the wall with the BAPI-Stat 4 mounting screws. The BS4 trim ring only adds 0.07 inches (1.7mm) to the depth of the BAPI Stat 4.



BAPI-Stat 4 Trim Ring



BAPI-Stat 4 with and without Trim Ring

## Ordering Information

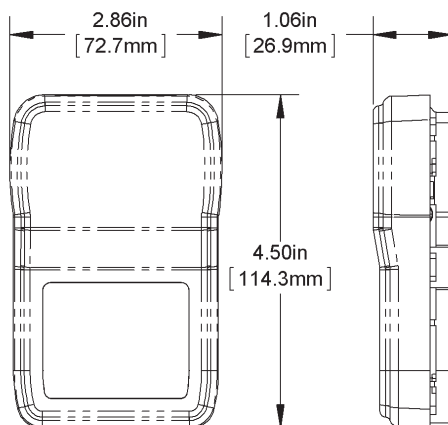
Part Number	Description	List Price
BA/BS4-TR-BW	BAPI-Stat 4 Trim Ring, Bright White Color .....	\$4
BA/BS4-TR	BAPI-Stat 4 Trim Ring, Beige Color .....	\$4

Submittal datasheets without List Prices are available on our website at [www.bapihvac.com](http://www.bapihvac.com)

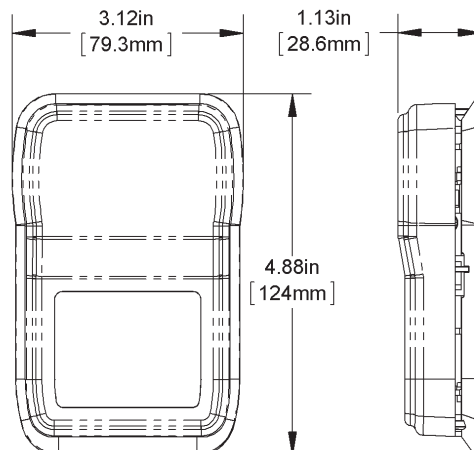
## Specifications

**Material:** ABS plastic, Flame-retardant, UL 94, V-0  
**Temperature:** 32 to 122°F (0 to 50°C)

**Humidity:** 0 to 95%, non-condensing



BAPI-Stat 4 without Trim Ring



BAPI-Stat 4 with Trim Ring

