



**Features & Options**

- Optional Setpoint, Override and Comm. Jack
- Available Pressure Pickup Port
- Limited Lifetime Warranty

**Enclosure Style**

The BAPI-Stat 4 and Delta Style units without display are available with optional slider setpoint adjustment and override.

**Setpoint**

Setpoint is available as a slidepot in various ranges.

**Override**

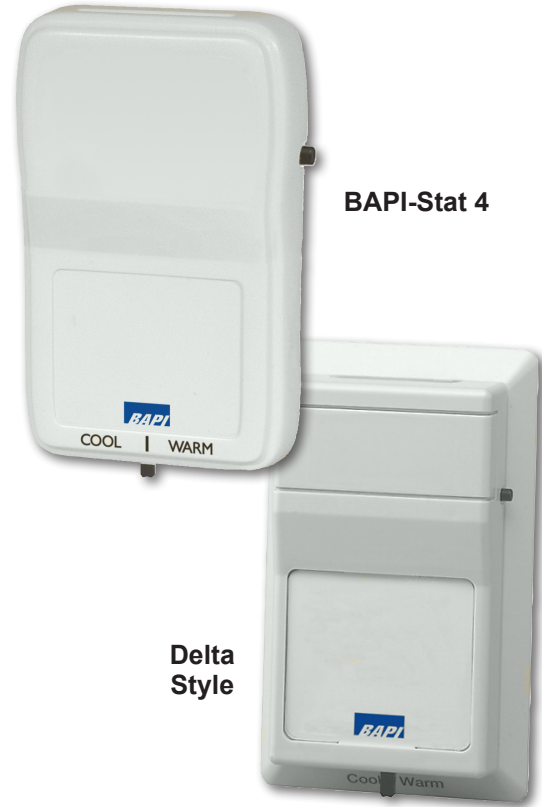
Optional discreet momentary signal that can be configured to be compatible with any controller.

**Communication Jack**

Available with a 3.5mm phono plug style jack.

**Pressure Pickup Port**

Pressure Pickup Ports are available for Delta Style enclosures without setpoint or override. See "Pressure Pickup Ports" in the Pressure Section for ordering.



**Specifications**

**Sensing Element:**

Thermistor or RTD  
(See Sensors Section for Specifications.)

**Wiring:** 16 to 22 AWG

**Environmental Operation Range:**

Temperature: 32 to 122 °F (0 to 50 °C)  
Humidity: 0 to 95%, non-condensing

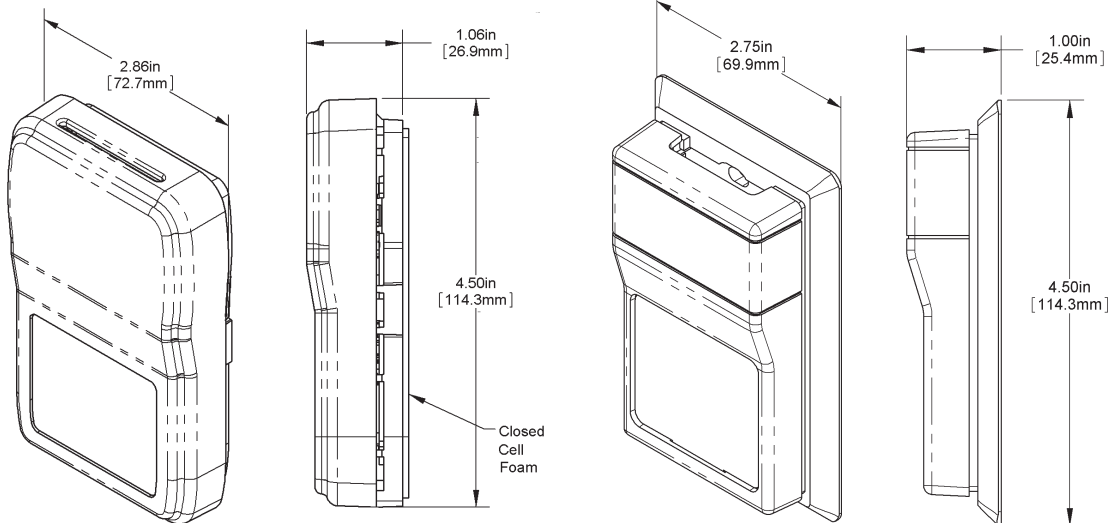
**Enclosure Material:**

ABS Plastic, UL94 V-0

**Mounting:**

Standard 2"x4" junction box, European junction box or drywall mount (screws provided)

**Agency:** CE EN 61000-6-2 EMC, RoHS



**BAPI-Stat 4**

**Delta Style**





Use the Option Selection Guide below to create your custom part number. Replace the number and parenthesis with the designator for each selection. Skip the designator and dashes for optional selections that are not required in your configuration.

### **BAPI-Stat 4 & Delta Style Without Display Option Selection Guide:**

BA/ ( #1 ) - ( #2 ) ( #3 ) ( #4 ) - ( #5 ) - ( #6 ) - ( #7 ) - ( #8 )

#### **#1: Temperature Sensor** (required)

- 1K[375] ..... 1K Platinum RTD (375 curve)
- 1K[NI] ..... 1K Ω Nickel RTD
- 1K ..... 1K Platinum RTD (385 curve)
- 1.8K ..... 1.8K Thermistor
- 3K ..... 3K Thermistor
- 10K-2 ..... 10K-2 Thermistor
- 10K-3 ..... 10K-3 Thermistor
- 10K-3[11K] ..... 10K-3[11K] Thermistor
- 20K ..... 20K Thermistor

#### **#2: Room Sensor Style** (required)

- B4 ..... BAPI-Stat 4
- R ..... Delta Style Enclosure

#### **#3: Setpoint Output Range** (optional)

- 60 ..... 0 to 10 KΩ
- 80 ..... 0 to 20 KΩ
- 81 ..... 4.75 K to 24.75 KΩ
- 82 ..... 6.19 K to 26.19 KΩ
- 84 ..... 10 K to 30 KΩ

#### **#4: Setpoint Legend**

- (Required for units with Setpoint)
- L6 ..... Cool/Warm
  - L0 ..... No Legend

#### **#5: Override** (required)

- J ..... Override as a Separate Output
- N ..... Override in Parallel with Sensor
- P ..... Override in Parallel w/ Setpoint
- Z ..... No Override

#### **#6: Communication Jack** (optional)

- C35 ..... 3.5mm Phono Style Jack

#### **#7: Common or Differential Gnd** (required)

- CG ..... Common Ground
- DF ..... Differential Inputs

#### **#8: Delta Style Enclosure Color**

- (required for Delta Style Enclosures)
- BW ..... Bright White Delta Style Enclosure

*Additional options are available for these units but not shown in this Selection Guide. Contact your BAPI representative for the complete list of options.*

*Pressure Pickup Ports are available for the Delta Style Enclosures without Setpoint or Override. See "Pressure Pickup Ports" in the Pressure Section for ordering.*

**Example Number:** BA/ ( 10K-2 ) - ( B4 ) ( 80 ) ( L6 ) - ( N ) - ( C35 ) - ( CG ) - ( )

**Actual Number (with parenthesis removed):** BA/10K-2-B480L6-N-C35

**Description:** 10K-2 Thermistor, BAPI-Stat 4, 0 to 20K Setpoint Output Range, Cool Warm Legend, Override in Parallel with Sensor, C35 Comm. Jack, Common Ground Configuration

**Your Number:** BA/

