



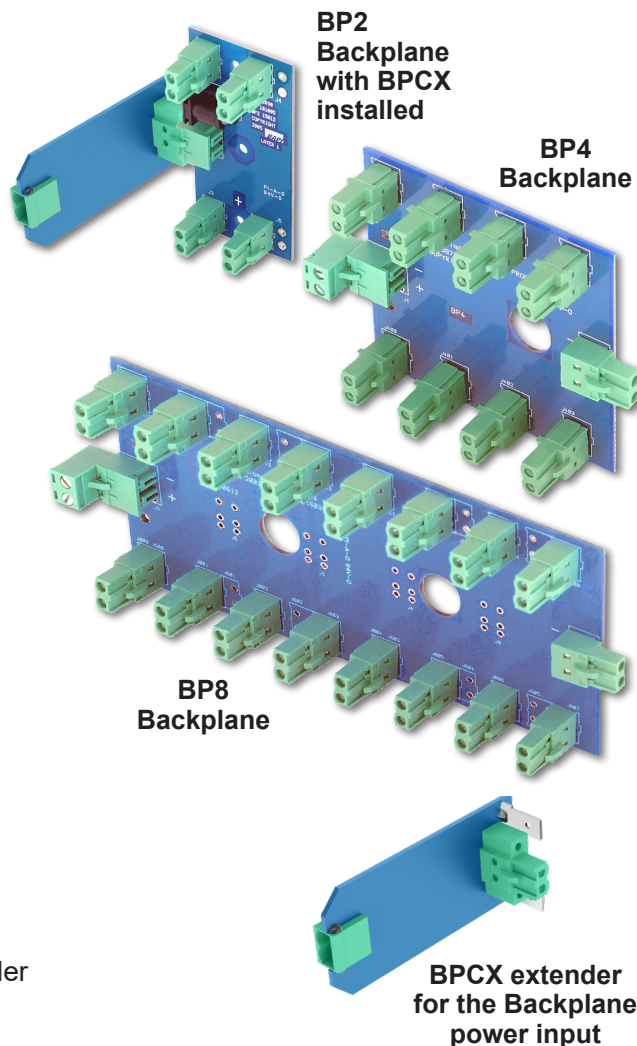
Overview

The BP2, BP4 and BP8 Backplanes provide a convenient way to mount and power the BAPI ETA devices and eliminate control panel clutter. All backplanes fit standard 2.75" snaptrack.

ETA modules plug into the sockets on the face of the backplane. BP2, BP4, and BP8 backplanes accommodate 2, 4, and 8 ETA modules, respectively.

The Backplanes receive power from PS17/18/19RF or a customer-furnished power supply. The Backplanes can be plugged together using the end-to-end connectors to handle many modules. The BP2 and BP4 can receive power from BAPI's VC350 voltage converter depending on the application (in Accessories section). While DC is recommended, most ETA modules will work with 24VAC input.

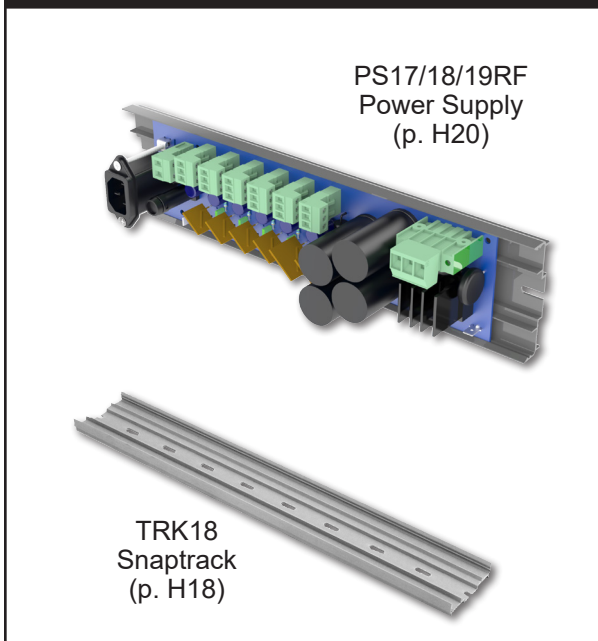
The BPCX extends the backplane power input plug to make it more accessible for service.



Part Number Description

- BA/BP2** 2-Position Interface Backplane
- BA/BP4** 4-Position Interface Backplane
- BA/BP8** 8-Position Interface Backplane
- BA/BPCX** Backplane Power Input Extender

Associated Products



Specifications

PCB Lengths	
BP2	1.5in [38.1mm]
BP4	3in [76.2mm]
BP8	6in [152.4mm]

1.25in [31.8mm]

.75in [19.1mm] Typ.

BP8 Backplane in a 18" piece of 2.75" snaptrack (BA/TRK18)

Power Voltage: 34 VDC or 24 VAC, max
Power Current: 4 Amp max.