



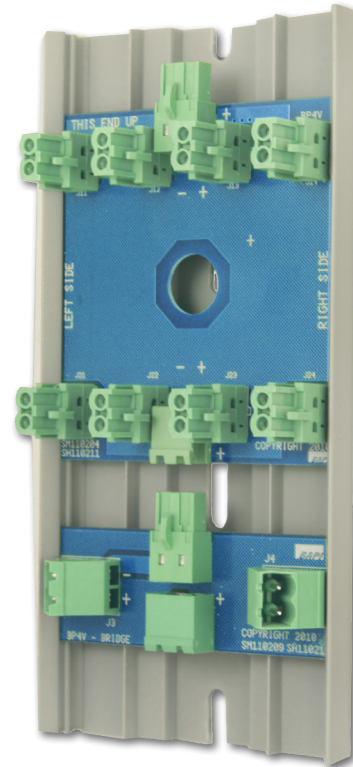
Overview

The BP4-V - Vertical Backplane was designed to add additional ETA boards into a congested panel where the only space for the snaptrack is vertical. The BP4-V allows the use of any vertical spaces that may go unused. Each BP4-V accommodates four ETA modules.

If more than one BP4-V is needed, they should be connected together with a BP-BR -Power Bridge. The BP-BR bridges the power between the backplanes and provides clearance from one BP4-V to the other for easy insertion of the ETA modules. The BP-BR also provides two additional power entry points in case the bottom plug location is not easily accessible.

For large control systems, the BP4-V receives power from a PS17/18/19RF Power Supply. For small control systems, the BP4-V can receive power from BAPI's VC350 voltage converters. While not recommended, most ETA modules will also work with 24VAC input.

Note: Do not use the BP4-V in horizontal snaptrack. Use the BP2, BP4 or BP8 instead.



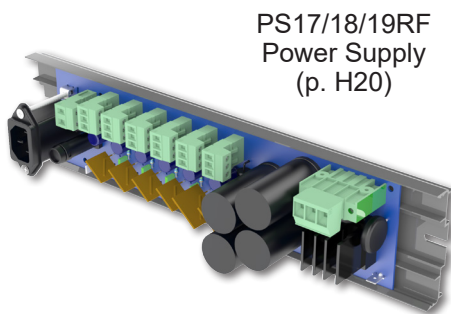
BP4-V - Vertical Backplane and a BP-BR - Power Bridge in a 2.75" wide piece of snaptrack (sold separately)

Part Number Description

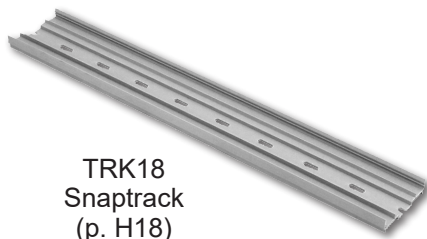
BA/BP4-V Vertical Backplane

BA/BP-BR Bridge (to connect Vertical Backplanes)

Associated Products

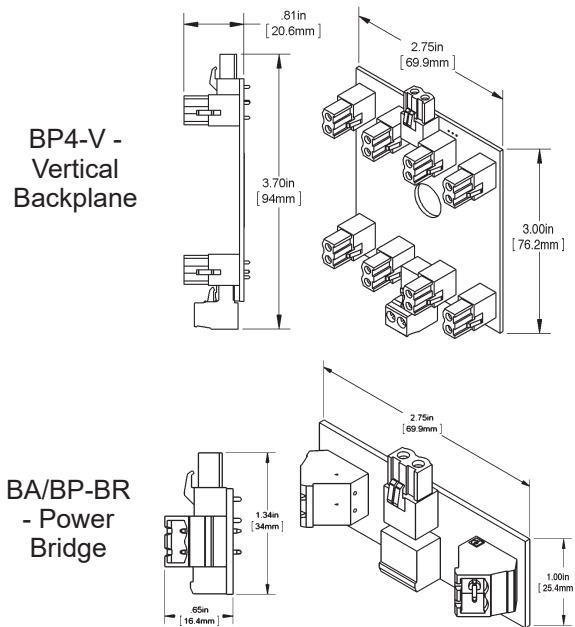


PS17/18/19RF Power Supply (p. H20)



TRK18 Snaptrack (p. H18)

Specifications



Power Voltage: 34 VDC max, 24 VAC max
Power Current: 4 Amp max.

