



Temperature & Humidity Setpoint

Features & Options

- Large Easy-to-Read Display, °F or °C
- Fully Compensated 2% RH Sensor
- Temperature and Humidity Setpoint Adjustment
- Adjustable Toggle Rate Between Temp and Humidity Display
- Optional Override, Passive Sensor, Test and Balance Switch and Communication Jack
- Two Year Warranty

The BAPI-Stat 4 "X-Combo" Room Unit features local indication of both temperature and humidity with optional Temperature Setpoint, Humidity Setpoint and Local Occupancy Override. The optional LCD shows temperature in °C or °F and humidity in %RH. In addition, the unit has adjustable offsets for both temperature and humidity and the transmitter ranges are field configurable.

The unit has 4 output channels. Channel 1 and 2 can be ordered as voltage or current, channel 3 as voltage or resistance and channel 4 as a passive temperature sensor.

For detailed specs on the individual Sensors & Transmitters, turn to the Sensors section.



BAPI-Stat 4 "X-Combo" Units with Warm White and Gray Logo Plate

BAPI-Guard

- Prevents Tampering
- Exceptional Airflow
- Two Sizes

(See Accessories)



Specifications

Supply Voltage:

DC Power: 16 to 30VDC
AC Power:..... 18 to 30VAC*

Power Consumption: 50mA max. DC, 1.5VA max. AC

Temp Sensor: Semiconductor Band Gap, $\pm 0.5^\circ\text{C}$

RH Sensor: 2% Accuracy, Capacitive

Available Outputs: 3 Configurable, 1 Passive Sensor

Channels 1 & 2 Voltage or Current
Channel 3 Voltage or Resistance
Channel 4 Passive Sensor

Output Signals:

Voltage, VDC 0 to 5V, 1 to 5V, 0 to 10V,
2 to 10V, Impedance >10K Ω
Current (Sourcing) 4 to 20mA, 500 Ω @11.5VDC
Resistance (Setpoint). Available on Ch. 3 Only
Passive Sensor (Ch. 4). Thermistor, RTD or Solid State

Input (Digital): 1 (lights BAPI-Man Occupancy ind.)

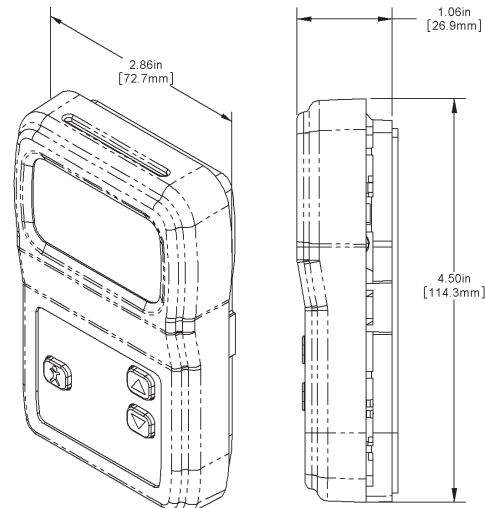
Termination: 8 Terminals, 16 to 22 AWG**

Mounting: Standard 2x4" J-Box or
Drywall, screws provided

Enclosure Material: ABS Plastic, UL94V-0

Ambient (Enclosure): 32 to 122°F (0 to 50°C)
0 to 95%RH, Non-Cond.

Agency: RoHS



*AC power requires a separate pair of shielded wires.

**BAPI recommends that you do not run wiring for the room units in the same conduit as line voltage wiring or with wiring used to supply highly inductive loads such as motors, generators and coils.





BAPI-Stat 4 "X-Combo" Room Unit

B7

Rev. 10/28/16

Humidity or Combination Temp/Humidity Sensors

Ordering Grids without List Prices are available on our website at www.bapihvac.com

Ordering Information:		Required	Optional	List Price	Your Order
X-Combo in a BAPI-Stat 4 Enclosure (required)					
BA/BS4XC	BAPI-Stat 4 w/ Optional (Rm. Temp., Rm. RH, Temp. Setpoint, Humidity Setpoint, Override and/or Display)			\$165	\$
Display Mode (required) - °F or °C display can be changed in the field					
-F	Temperature factory displayed in °F.			\$35	\$
-C	Temperature factory displayed in °C.			-	-
-X	No Display Option (Setpoint options require a display)			-	-
Humidity Sensor Accuracy (required)					
-2	2% Humidity Sensor			\$80	\$
** Channel 1 Output (optional) - replace "D" & "R" with codes from Table D & R or from App notes (p. I2 & I3)					
-10 D R	Temperature			Not available with resistance outputs	\$50
-15 D R	Setpoint Temperature or Setpoint Humidity ^{***}			Not available with resistance outputs	\$50
** Channel 2 Output (required) - replace "D" & "R" with codes from Table D & R or from App notes (p. I2 & I3)					
-20 D R	Humidity output			Not available with resistance outputs	\$50
-25 D R	Setpoint Temperature or Setpoint Humidity ^{***}			Not available with resistance outputs	\$50
** Channel 3 Output ^{***} (optional) - replace "D" & "R" with codes from Table D & R or from App notes (p. I2 & I3)					
-35 D R	Setpoint Temperature or Setpoint Humidity (Not available with R=16, 4-20mA)			\$50	\$
***Override Button Configuration (required)					
-CH1	Override in Parallel (//) with Channel 1 (0V, 1V, 2V or 4mA)			\$5	\$
-CH2	Override in Parallel (//) with Channel 2 (0V, 1V, 2V or 4mA)				
-CH3	Override in Parallel (//) with Channel 3 (0V, 1V, 2V or Low ohms)				
-CH4	Dry Contact Override in Parallel (//) with Channel 4 (<1 ohm) ^ (Not available for solid state sensors)				
-Z	No Override. (No override button unless two setpoint channels are selected above)			-	-
Channel 4 (optional) - Passive 2-wire Sensor Selection "Temp + to Temp -"					
-1375	1K Platinum RTD, 1,000 Ω @ 0 °C, 3.75 Ω/°C temp. coeff.			\$25	
-1	1K Platinum RTD, 1,000 Ω @ 0 °C, 3.85 Ω/°C temp. coeff.				
-2	2K Silicon RTD, 2,000 Ω @ 20 °C, 8 Ω/°C temp. coeff.			\$18	
-1N1	1K Ω Nickel @ 21°C, 5 Ω/°C temp. coeff.				
-18	1.8K Thermistor, 1,800 Ω @ 25 °C				
-3	3K Thermistor, 3,000 Ω @ 25 °C				
-33	3.3K Thermistor, 3,300 Ω @ 25 °C				
-102	10K-2 Thermistor, 10,000 Ω @ 25 °C				
-103	10K-3 Thermistor, 10,000 Ω @ 25 °C				
-10311	10K-3(11K) Therm., 5.238 Ω @ 25 °C, 11kΩ shunt resistor				
-20	20K Thermistor, 20,000 Ω @ 25 °C				
-50	50K Thermistor, 50,000 Ω @ 25 °C				
-100	100K Thermistor, 100,000 Ω @ 25 °C			\$25	
-592	AD592 Solid State Semiconductor, 273 μA @ 0 °C, 2 wire only				
-334	LM334 Solid State Semiconductor 2 wire only				
Communication Jack (optional) - Mounted in unit's base					
-C11L	RJ11 (4 pin) Style Jack with Leads			\$20	
-C11LT	RJ11 (4 pin) Style Jack with Leads and Terminal Block				
-C35L	3.5 mm Phono Jack w/ Leads Attached			\$10	\$
-C35LT	3.5 mm Phono Style Jack with Leads and Terminal Block				
-C22L	RJ22 (4 pin) Style Jack with Leads Attached			\$25	
-C22LT	RJ22 (4 pin) Style Jack with Leads and Terminal Block				
Test and Balance Switch ^{^^} (optional)					
-TB	Three Position Switch - "Low & High" values vary by sensor type, Normal is live passive sensor value.			\$7.50	\$
Connection Configuration (Only required if Channel 4 sensor is used)					
-CG	Common Ground for - TEMP sensor terminal			-	-
-DF	+ and - TEMP sensor terminals are isolated			-	-
Logo Plate Color (required)					
-WMW	Warm White			-	-
-GRY	Gray			-	-

Code	°F	°C	% RH
A	-3 to +3	-3 to +3	
C	50 to 90 °F	10 to 32 °C	
D	55 to 85 °F	13 to 30 °C	
E	60 to 80 °F	15 to 27 °C	
F	65 to 80 °F	18 to 27 °C	
G	45 to 96 °F	7 to 35 °C	
M			0 to 100%
N			35 to 70%
P	-2 to +2	-2 to +2	
AA	60 to 85 °F	15 to 30 °C	
EE	67 to 77 °F	19 to 25 °C	

Code	Signal Range	Span
00	0 to 5 V	5 Volts
01	1 to 5 V	4 Volts
10	0 to 10 V	10 Volts
11	2 to 10 V	8 Volts
16	4 to 20 mA*	16 mA
60	0 to 10 kΩ	10 kΩ
61	15 to 5 kΩ	10 kΩ
62	9577 to 1422 Ω	8.15 kΩ
63	1 to 11 kΩ	10 kΩ
64	200 to 10200	10 kΩ
65	10.4k to 400Ω	10 kΩ
66	10 kΩ to 0	10 kΩ
67	5 to 15 kΩ	10 kΩ
68	9629 to 806	~10 kΩ
80	0 to 20 kΩ	20 kΩ
81	4.75 to 24.75 kΩ	20 kΩ
82	6.19 to 26.19 kΩ	20 kΩ
83	7.87 to 27.87 kΩ	20 kΩ
84	10 to 30 kΩ	20 kΩ
85	24.75 to 4.75 kΩ	20 kΩ

Example Part Number: BA/BS4XC -F -2 -10C00 -20M10 -35C80 -CH4 -CG -WMW = BA/BS4XC-F-2-10C00-20M10-35C80-CH4-CG-WMW

Your Part Number: Shaded cells are optional selections

BA/BS4XC																			
----------	--	--	--	--	--	--	--	--	--	--	--	--	--	--	--	--	--	--	--

Notes:
 * This sensor is not loop powered. The output sources the 4-20mA output. The sensor will always require external power.
 ** Common Ground only, for voltage, current, and resistive outputs.
 *** An override adds one button on the sensor. Selecting temperature and humidity setpoints adds a mode button. The override and mode button are the same single button.
 ^ Front button if setpoints are used or side button if override only. Not intended to switch a load. (0.5A MAX @24V)
 ^^ This is for the passive sensor only. Active Test & Balance is through the sensor Mode select
 ^^^ The option adds setpoint buttons. This sensor can only have 2 setpoint buttons. The override button is used to toggle between Temperature and Humidity setpoints
 Call BAPI if you have questions about the above ordering grid or the configuration of the product you are ordering.