



## Features & Options

- Temperature and Humidity Setpoint Adjustment
- BAPI-Stat 4 Enclosure Style
- Large Easy-to-Read Display, °F or °C Indication
- Fully Compensated 2% RH Sensor
- Optional Override, Resistive Temperature Sensor and Communication Jack

The BAPI-Stat 4 "X-Combo" Room Unit features local indication of both temperature and humidity with optional Temperature Setpoint, Humidity Setpoint and Local Occupancy Override.

The optional LCD shows room temperature in °C or °F and room humidity in %RH. In addition, the unit has adjustable offsets for both temperature and humidity and the transmitter ranges are field configurable. This unit can be configured with up to four transmitted variables.



**BAPI-Stat 4  
"X-Combo"**



## Specifications

**Supply Voltage:**

DC Power: ..... 16 to 30VDC

AC Power: ..... 18 to 30VAC\*

**Power Consumption:** 50mA max. DC, 1.5VA max. AC

**RH/Temp Sensor Construction:**

Communicating Integrated Circuit

Humidity: Capacitive Polymer,  
±2%RH @ 25°C (77°F), 20 to 80%RH

Temp: Semi-conductor Band Gap,  
±0.5°C (±0.9°F) @ 20 to 40°C (68 to 104°F)

**Optional Direct Temp. Sensor:**

Thermistor or RTD (See Sensors Sect. for Specs.)

**Available Outputs:**

3 Configurable, 1 Passive Sensor

**Termination:** 8 Terminals, 16 to 22 AWG\*\*

**Mounting:**

Standard 2x4" J-Box or Drywall, screws provided

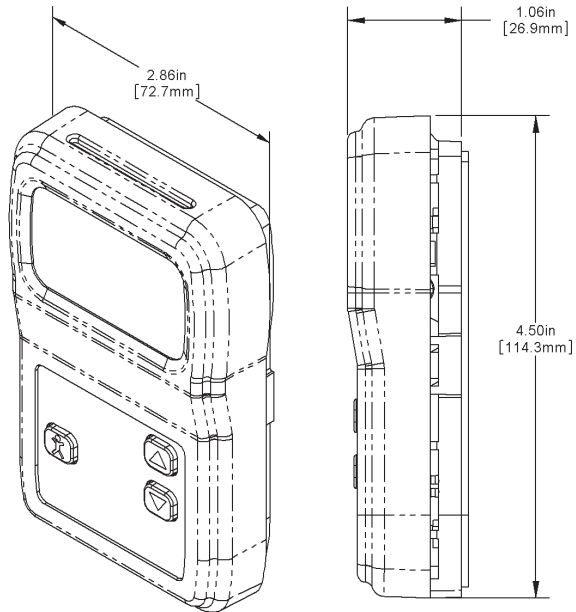
**Enclosure Material:** ABS Plastic, UL94 V-0

**Ambient (Enclosure):**

Temperature: .32 to 122°F (0 to 50°C)

Humidity: .....0 to 95%RH, Non-Cond.

**Agency:** RoHS



\*AC power requires a separate pair of shielded wires.

\*\*BAPI recommends that you do not run wiring for the room units in the same conduit as line voltage wiring or with wiring used to supply highly inductive loads such as motors, generators and coils.





# BAPI-Stat 4 “X-Combo” Room Unit

**B15**

*Temperature Sensors*

## **Ordering Information**

The “X-Combo” is a very powerful unit with many options. Please call your BAPI representative for ordering. We will provide a quote and keep it on record for future orders

