

Rev. 10/16/12

## Overview

The BAPI-Stat 4 Trim Ring provides a professionally finished appearance for the BAPI-Stat 4 Room Enclosures. If you are using back boxes, the trim ring covers any wall imperfections between the back box and the wall.

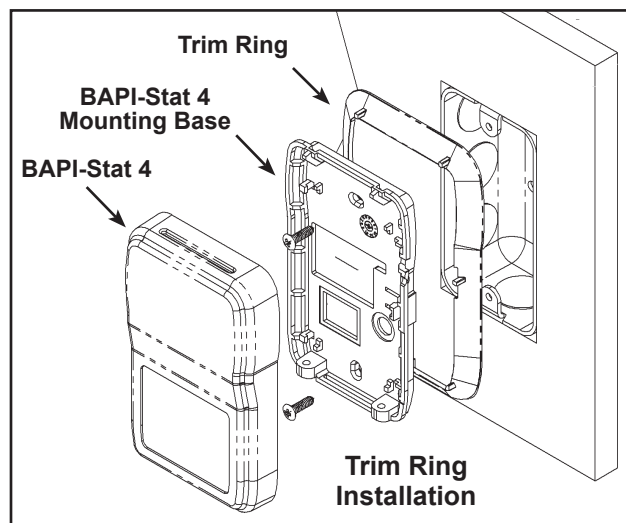
To install, place the trim ring on the wall, nest the BAPI Stat 4 mounting base into the ring and attach everything to the wall with the BAPI-Stat 4 mounting screws. The BS4 trim ring only adds 0.07 inches (1.7 mm) to the depth of the BAPI Stat 4.

## ORDERING INFORMATION

ALC/BS4-TR .....BAPI-Stat 4 Trim Ring



**BAPI-Stat 4 Trim Ring**



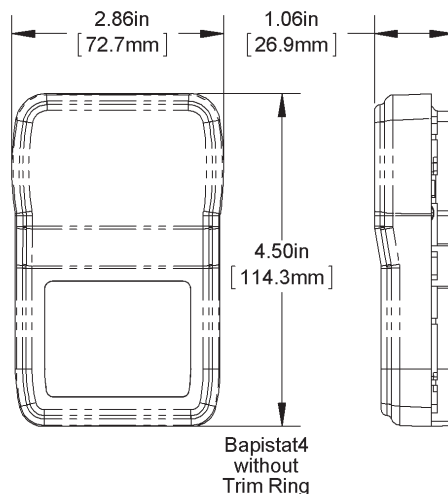
**BAPI-Stat 4 Unit with and without Trim Ring**

## Specifications

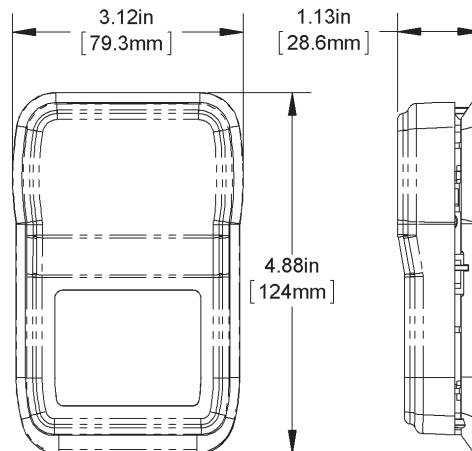
**Material:** ABS plastic, Flame-retardant, UL 94, V-0

**Temperature:** 32 to 122°F (0 to 50°C)

**Humidity:** 0 to 95%, non-condensing



Bapistat4  
without  
Trim Ring



Bapistat4  
with Trim Ring