



Features & Options

- Designed for Operating Rooms and Clean Rooms
- Temperature and Humidity Setpoint Adjustment
- Membrane Pushbuttons for Wipedown Cleaning

The BAPI-Stat 3 is designed for operating rooms, clean rooms and elder care facilities. It features a large display and membrane pushbuttons for wipedown cleaning. It is available with temperature and humidity measurement, temperature and humidity setpoint and occupant override.

The unit includes a number of field adjustments including °F or °C display, temperature and humidity offset and setpoint lockout. The display can also be set to show a large temperature and small %RH reading, a large %RH and a small temperature reading, or to alternate between the two. This unit can be configured with up to four transmitted variables. Contact your BAPI representative for details.



5
YEAR
WARRANTY

**BAPI-Stat 3
Units (shown
with optional
humidity
setpoint)**

Ordering Information

The BAPI-Stat 3 is a very powerful unit with many options. Please call your BAPI representative for ordering. We will provide a quote and keep it on record for future orders

Specifications

Power:

10 to 35 VDC for 4 to 20 mA or 0 to 5 VDC Outputs
 15 to 35 VDC for 0 to 10 VDC Output
 12 to 28 VAC for 0 to 5 VDC Output*
 15 VAC to 28 VAC for 0 to 10 VDC Output*

Note: 15 to 24 VDC recommended for VDC unit.

Power Consumption:

60 mA max. DC: 4 to 20 mA or 0 to 5 VDC Outputs
 10 mA max. DC: 0 to 10 VDC Output
 1.44 VA max. AC: 0 to 5 VDC Outputs
 0.2 VA max. AC: 0 to 10 VDC Output

RH/Temp Sensor Construction:

Communicating Integrated Circuit
 Humidity: Capacitive Polymer, ±2% RH (10% to 90%)
 @25°C, Fully Compensated

Temp: Semiconductor Band Gap, ±0.3°C @ 25°C

Optional Direct Temp. Sensor:

Thermistor or RTD (See Sensors Sect. for Specs.)

Mounting:

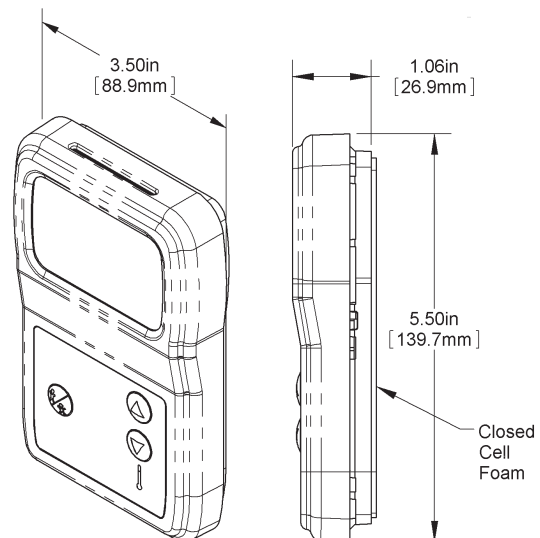
2" x 4" J-box or drywall mount - screws provided

Environmental Specifications:

Temperature: 32 to 122 °F (0 to 50 °C)
 Humidity: 0 to 95%, non-condensing

Wiring: 2 to 5 pair of 16 to 22 AWG**

Material & Rating: ABS Plastic - UL 94, V-0



*AC power requires a separate pair of shielded wires.

**BAPI recommends that you do not run wiring for room units in the same conduit as line voltage wiring or with wiring used to supply highly inductive loads such as motors, generators and coils.

