



## Membrane Pushbuttons for Wipedown Cleaning

### Features & Options

- Designed for Operating Rooms and Clean Rooms
- Temperature and Humidity Setpoint Adjustment
- Large Easy-to-Read Display
- Membrane Pushbuttons for Wipedown Cleaning
- 2% RH Accuracy
- Two Year Warranty

The BAPI-Stat 3 is designed for operating rooms, clean rooms and elder care facilities. It features a large display and membrane pushbuttons for wipedown cleaning. It is available with temperature and humidity measurement, temperature and humidity setpoint and occupant override.



**BAPI-Stat 3 Units (shown with optional humidity setpoint)**

The unit includes a number of field adjustments including °F or °C display, temperature and humidity offset and setpoint lockout. The display can also be set to show a large temperature and small %RH reading, a large %RH and a small temperature reading, or to alternate between the two. This unit can be configured with up to four transmitted variables. Contact your BAPI representative for details.

**For detailed specs on the individual Sensors & Transmitters, turn to the Sensors section.**

### Specifications

#### Power:

- 10 to 35 VDC for 4 to 20 mA or 0 to 5 VDC Outputs
- 15 to 35 VDC for 0 to 10 VDC Output
- 12 to 28 VAC for 0 to 5 VDC Output
- 15 VAC to 28 VAC for 0 to 10 VDC Output

Note: 15 to 24 VDC recommended for VDC unit.  
VAC units require a separate pair of shielded wires.

#### Power Consumption:

- 60 mA max. DC: 4 to 20 mA or 0 to 5 VDC Outputs
- 10 mA max. DC: 0 to 10 VDC Output
- 1.44 VA max. AC: 0 to 5 VDC Outputs
- 0.2 VA max. AC: 0 to 10 VDC Output

#### RH/Temp Sensor Construction:

- Communicating Integrated Circuit
- Humidity: Capacitive Polymer, ±2% RH (10% to 90%) @25°C, Fully Compensated
- Temp: Semiconductor Band Gap, ±0.3°C @ 25°C

#### Optional Direct Temp. Sensor:

- Thermistor, RTD or Semiconductor

#### Mounting:

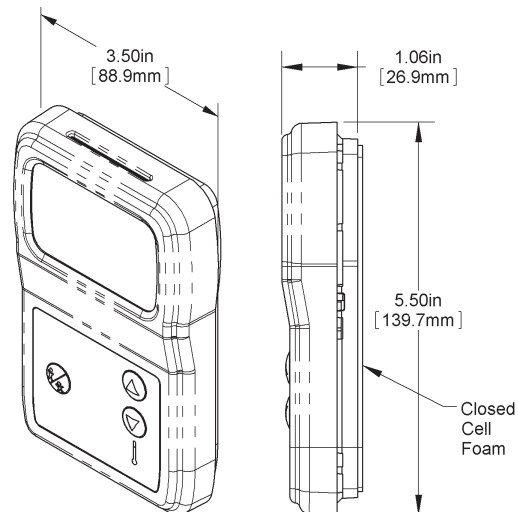
- 2" x 4" J-box or drywall mount - screws provided

#### Environmental Specifications:

- Temperature: 32 to 122 °F (0 to 50 °C)
- Humidity: 0 to 95%, non-condensing

#### Wiring: 2 to 5 pair of 16 to 22 AWG\*

#### Material & Rating: ABS Plastic - UL 94, V-0



\*BAPI recommends that you do not run wiring for room units in the same conduit as line voltage wiring or with wiring used to supply highly inductive loads such as motors, generators and coils.





Rev. 02/25/15

# BAPI-Stat 3™ Room Units

## Humidity or Combination Temp/Humidity Sensors

B5



| Ordering Information                                                                                             |                                                                                                        | BAPI-Stat 3 Room Sensors - Temperature, Humidity or Combination |            |              |              |              |               |             |              |            |             |
|------------------------------------------------------------------------------------------------------------------|--------------------------------------------------------------------------------------------------------|-----------------------------------------------------------------|------------|--------------|--------------|--------------|---------------|-------------|--------------|------------|-------------|
| <b>BA/BS3</b> BAPI-Stat 3 Style Room Sensor                                                                      |                                                                                                        |                                                                 |            |              |              |              |               |             |              |            |             |
| <b>Temperature Display Mode</b>                                                                                  |                                                                                                        |                                                                 |            |              |              |              |               |             |              |            |             |
| <b>F</b>                                                                                                         | Temperatures Displayed in °F                                                                           |                                                                 |            |              |              |              |               |             |              |            |             |
| <b>C</b>                                                                                                         | Temperatures Displayed in °C                                                                           |                                                                 |            |              |              |              |               |             |              |            |             |
| <b>Humidity Sensor Accuracy</b> (skip if ordering a temperature only unit)                                       |                                                                                                        |                                                                 |            |              |              |              |               |             |              |            |             |
| <b>2</b>                                                                                                         | Accuracy in % for the Relative Humidity Output (i.e. ±2% RH)                                           |                                                                 |            |              |              |              |               |             |              |            |             |
| <b>Channel # 1*</b> - T, H, R are placeholders for the range options. (See inset charts)                         |                                                                                                        |                                                                 |            |              |              |              |               |             |              |            |             |
| <b>-0 T</b>                                                                                                      | Temperature Output, 4 to 20 mA                                                                         |                                                                 |            |              |              |              |               |             |              |            |             |
| <b>-1 T</b>                                                                                                      | Temperature Output, 0 to 5 V                                                                           |                                                                 |            |              |              |              |               |             |              |            |             |
| <b>-2 T</b>                                                                                                      | Setpoint Output, Temperature 4 to 20 mA                                                                |                                                                 |            |              |              |              |               |             |              |            |             |
| <b>-3 T</b>                                                                                                      | Setpoint Output, Temperature 0 to 5 V                                                                  |                                                                 |            |              |              |              |               |             |              |            |             |
| <b>-4 H</b>                                                                                                      | Setpoint Output, %RH 4 to 20 mA                                                                        |                                                                 |            |              |              |              |               |             |              |            |             |
| <b>-5 H</b>                                                                                                      | Setpoint Output, %RH 0 to 5V                                                                           |                                                                 |            |              |              |              |               |             |              |            |             |
| <b>-6 T</b>                                                                                                      | Temperature Output 0 to 10V                                                                            |                                                                 |            |              |              |              |               |             |              |            |             |
| <b>-7 T</b>                                                                                                      | Setpoint Output, Temperature 0 to 10V                                                                  |                                                                 |            |              |              |              |               |             |              |            |             |
| <b>-8 H</b>                                                                                                      | Setpoint Output, %RH 0 to 10V                                                                          |                                                                 |            |              |              |              |               |             |              |            |             |
| <b>Channel # 2*</b> - T, H, R are placeholders for the range options. (See inset charts)                         |                                                                                                        |                                                                 |            |              |              |              |               |             |              |            |             |
| <b>-10 H</b>                                                                                                     | %RH Output, 4 to 20 mA                                                                                 |                                                                 |            |              |              |              |               |             |              |            |             |
| <b>-11 H</b>                                                                                                     | %RH Output, 0 to 5 V                                                                                   |                                                                 |            |              |              |              |               |             |              |            |             |
| <b>-12 T</b>                                                                                                     | Setpoint Output, Temperature 4 to 20 mA                                                                |                                                                 |            |              |              |              |               |             |              |            |             |
| <b>-13 T</b>                                                                                                     | Setpoint Output, Temperature 0 to 5 V                                                                  |                                                                 |            |              |              |              |               |             |              |            |             |
| <b>-14 H</b>                                                                                                     | Setpoint Output, %RH 4 to 20 mA                                                                        |                                                                 |            |              |              |              |               |             |              |            |             |
| <b>-15 H</b>                                                                                                     | Setpoint Output, %RH 0 to 5 V                                                                          |                                                                 |            |              |              |              |               |             |              |            |             |
| <b>-16 H</b>                                                                                                     | %RH Output, 0 to 10 V                                                                                  |                                                                 |            |              |              |              |               |             |              |            |             |
| <b>-17 T</b>                                                                                                     | Setpoint Output, Temperature 0 to 10 V                                                                 |                                                                 |            |              |              |              |               |             |              |            |             |
| <b>-18 H</b>                                                                                                     | Setpoint Output, %RH 0 to 10 V                                                                         |                                                                 |            |              |              |              |               |             |              |            |             |
| <b>Optional Additional Outputs Ch 3 &amp; 4</b> - T, H, R are placeholders for range options. (See inset charts) |                                                                                                        |                                                                 |            |              |              |              |               |             |              |            |             |
| <b>-20 T R G</b>                                                                                                 | Setpoint Output, Temperature Resistive w/ Override (DF is wired to Channel 3 & 4)                      |                                                                 |            |              |              |              |               |             |              |            |             |
| <b>-21 T R G</b>                                                                                                 | Setpoint Output, Temperature Voltage w/ Override (Common Ground Required)                              |                                                                 |            |              |              |              |               |             |              |            |             |
| <b>-22 H R G</b>                                                                                                 | Setpoint Output, %RH Resistive with Override (DF is wired to Channel 3 & 4)                            |                                                                 |            |              |              |              |               |             |              |            |             |
| <b>-23 H R G</b>                                                                                                 | Setpoint Output, %RH Voltage with Override (Common Ground Required)                                    |                                                                 |            |              |              |              |               |             |              |            |             |
| <b>-24 T R G</b>                                                                                                 | Setpoint Output, Temperature Resistive without Override (DF is wired to Channel 3 & 4)                 |                                                                 |            |              |              |              |               |             |              |            |             |
| <b>-25 T R G</b>                                                                                                 | Setpoint Output, Temperature voltage without Override (Common Ground required)                         |                                                                 |            |              |              |              |               |             |              |            |             |
| <b>-26 H R G</b>                                                                                                 | Setpoint Output, %RH Resistive without Override (DF is wired to Channel 3 & 4)                         |                                                                 |            |              |              |              |               |             |              |            |             |
| <b>-27 H R G</b>                                                                                                 | Setpoint Output, %RH Voltage without Override (Common Ground required)                                 |                                                                 |            |              |              |              |               |             |              |            |             |
| <b>-28 G</b>                                                                                                     | Override Only [High Ω -> Low Ω -> High Ω] (DF is wired to Channel 3 & 4)                               |                                                                 |            |              |              |              |               |             |              |            |             |
| <b>-29 G</b>                                                                                                     | Override Only [5 V -> 0 V -> 5V] (Common Ground required)                                              |                                                                 |            |              |              |              |               |             |              |            |             |
| <b>Optional Override Ch 3 or 4 - dry contact</b>                                                                 |                                                                                                        |                                                                 |            |              |              |              |               |             |              |            |             |
| <b>-60 G</b>                                                                                                     | Dry Contact Override Ch4 (If the unit is DF, use terminals CH3 & CH4)                                  |                                                                 |            |              |              |              |               |             |              |            |             |
| <b>-61 G</b>                                                                                                     | Dry Contact Override Ch5 [Temp - Temp]                                                                 |                                                                 |            |              |              |              |               |             |              |            |             |
| <b>Optional Sensor Type Ch 5</b> (if resistive sensor required)                                                  |                                                                                                        |                                                                 |            |              |              |              |               |             |              |            |             |
| <b>-1375</b>                                                                                                     | 1K Platinum RTD, 1,000 Ω @ 0 °C, 3.75 Ω/°C temp. coeff.                                                |                                                                 |            |              |              |              |               |             |              |            |             |
| <b>-1NI</b>                                                                                                      | 1K Ω Nickel RTD, 1,000 Ω @ 21°C, 5 Ω/°C temp. coeff.                                                   |                                                                 |            |              |              |              |               |             |              |            |             |
| <b>-1</b>                                                                                                        | 1K Platinum RTD, 1,000 Ω @ 0 °C, 3.85 Ω/°C temp. coeff.                                                |                                                                 |            |              |              |              |               |             |              |            |             |
| <b>-2</b>                                                                                                        | 2K Silicon RTD, 2,000 Ω @ 20 °C, 8 Ω/°C temp. coeff.                                                   |                                                                 |            |              |              |              |               |             |              |            |             |
| <b>-18</b>                                                                                                       | 1.8K Thermistor, 1,800 Ω @ 25 °C                                                                       |                                                                 |            |              |              |              |               |             |              |            |             |
| <b>-3</b>                                                                                                        | 3K Thermistor, 3,000 Ω @ 25 °C                                                                         |                                                                 |            |              |              |              |               |             |              |            |             |
| <b>-33</b>                                                                                                       | 3.3K Thermistor, 3,300 Ω @ 25 °C                                                                       |                                                                 |            |              |              |              |               |             |              |            |             |
| <b>-102</b>                                                                                                      | 10K-2 Thermistor, 10,000 Ω @ 25 °C                                                                     |                                                                 |            |              |              |              |               |             |              |            |             |
| <b>-103</b>                                                                                                      | 10K-3 Thermistor, 10,000 Ω @ 25 °C                                                                     |                                                                 |            |              |              |              |               |             |              |            |             |
| <b>-10311</b>                                                                                                    | 10K-3[11K] Therm., 5,238 Ω @ 25 °C, 11kΩ shunt resistor                                                |                                                                 |            |              |              |              |               |             |              |            |             |
| <b>-20</b>                                                                                                       | 20K Thermistor, 20,000 Ω @ 25 °C                                                                       |                                                                 |            |              |              |              |               |             |              |            |             |
| <b>-50</b>                                                                                                       | 50K Thermistor, 50,000 Ω @ 25 °C                                                                       |                                                                 |            |              |              |              |               |             |              |            |             |
| <b>-100</b>                                                                                                      | 100K Thermistor, 100,000 Ω @ 25 °C                                                                     |                                                                 |            |              |              |              |               |             |              |            |             |
| <b>-592</b>                                                                                                      | AD592 Semiconductor, 273 μA @ 0 °C                                                                     |                                                                 |            |              |              |              |               |             |              |            |             |
| <b>-ES</b>                                                                                                       | External Sensor connection, 10K-2 thermistor purchased separately.***                                  |                                                                 |            |              |              |              |               |             |              |            |             |
| <b>Optional Communication Jack</b>                                                                               |                                                                                                        |                                                                 |            |              |              |              |               |             |              |            |             |
| <b>-C11L</b>                                                                                                     | RJ11 (4 pin) Style Jack with Leads                                                                     |                                                                 |            |              |              |              |               |             |              |            |             |
| <b>-C11LT</b>                                                                                                    | RJ11 (4 pin) Style Jack w/ Leads and Terminal Block                                                    |                                                                 |            |              |              |              |               |             |              |            |             |
| <b>-C35L</b>                                                                                                     | 3.5 mm Phono Jack w/ Leads Attached                                                                    |                                                                 |            |              |              |              |               |             |              |            |             |
| <b>-C35LT</b>                                                                                                    | 3.5 mm Phono Style Jack w/ Leads and Term. Block                                                       |                                                                 |            |              |              |              |               |             |              |            |             |
| <b>-C22L</b>                                                                                                     | RJ22 (4 pin) Style Jack with Leads Attached                                                            |                                                                 |            |              |              |              |               |             |              |            |             |
| <b>-C22LT</b>                                                                                                    | RJ22 (4 pin) Style Jack with Leads and Terminal Block                                                  |                                                                 |            |              |              |              |               |             |              |            |             |
| <b>Optional Test &amp; Balance Switch**</b>                                                                      |                                                                                                        |                                                                 |            |              |              |              |               |             |              |            |             |
| <b>-TB</b>                                                                                                       | Three Position Switch - "Low" & "High" values vary, "Normal" is live sensor value, call for details.** |                                                                 |            |              |              |              |               |             |              |            |             |
| <b>Keypad Color Must Select One</b>                                                                              |                                                                                                        |                                                                 |            |              |              |              |               |             |              |            |             |
| <b>-GRY</b>                                                                                                      | Gray Keypad Color                                                                                      |                                                                 |            |              |              |              |               |             |              |            |             |
| <b>-OFW</b>                                                                                                      | Off White Keypad Color                                                                                 |                                                                 |            |              |              |              |               |             |              |            |             |
| <b>EXAMPLE</b>                                                                                                   |                                                                                                        |                                                                 |            |              |              |              |               |             |              |            |             |
| <b>BA/BS3</b>                                                                                                    | <b>F</b>                                                                                               | <b>2</b>                                                        | <b>0 C</b> | <b>-10 M</b> | <b>-24 C</b> | <b>80 CG</b> | <b>-61 CG</b> | <b>-102</b> | <b>-C35L</b> | <b>-TB</b> | <b>-GRY</b> |
| Example Part Number: BA/BS3F2-0C-10M-24C80CG-61CG-102-C35L-TB-GRY                                                |                                                                                                        |                                                                 |            |              |              |              |               |             |              |            |             |
| <b>Your Part Number:</b>                                                                                         |                                                                                                        |                                                                 |            |              |              |              |               |             |              |            |             |

All ranges and options may not be shown here, call BAPI for additional options or with questions about this ordering grid

\* Channel 1 or 2 are Common Ground

\*\* Test & Balance is only available with Direct Sensor Type Output

\*\*\*Must use a 10K-2 thermistor for the External Sensor option. Thermistor is purchased separately. (25' max) This option is only available on units without humidity

