



Features & Options

- Wireless 100 Foot Open Field Range
- Built in or Remote Temperature Sensor
- Four Year Battery Life
- Slim Unobtrusive Design That Is Easy To Mount
- Two Year Warranty

The BAPI-Slim 418 MHz Wireless Temperature Transmitter is designed to monitor temperature inside refrigerator and freezer cases. The BAPI-Slim mounts on the outside of freezer units and can be mounted either inside or outside of refrigerator units. The unit is available with an internal sensor or an RJ11 jack external sensor.

The external sensor's ribbon cable can easily fit between the door seal or through hole with FEP cable without affecting appliance efficiency. The temperature is then transmitted at 30-second intervals to the receiver with a measurement range of -40 to 185°F (-40 to 85°C).



**BAPI-Slim
Wireless
Temperature
Transmitter
with Remote
Probe Sensor**

Specifications

Supply Power: One 3.6 VDC Lithium Battery (included)
4 Year Replaceable, 1/2 AA, (3.6 VDC)

LED: LED Transmit Lamp Inside Cover

Sensor: Thermistor, 10K-2

Internal: Located at Bottom of Case

External: RJ11 Jack

1.75" SS Sensor with FEP or Ribbon Cable

1" Thermobuffer with FEP or Ribbon Cable

Measurement Range: -40 to 185°F (-40 to 85°C)

Accuracy: ±0.5°F (±0.28°C) from -40 to 185°F (-40 to 85°C)

Environmental:

-22 to 122°F (-30 to 50°C), 0 to 95% RH non-condensing

Case Material & Material Rating: ABS Plastic, UL94 V-0

Ext. Probe Material: 304 Stainless Steel (SS)

Transmitter Mounting:

Keyhole Screw Mounts (Screws not included)

Double-Sided Mounting Tape (Included)

Sensor Mounting:

Remote Probe: Plastic Holder (BA/FPB)

Thermobuffer: Hanging Rack Clip (Included)

Radio Frequency: 418 MHz @ 1mW

Transmitter Interval:

Factory selectable from 10 seconds to 10 minutes in 5 second intervals (30 seconds default)

Antenna: Helical Coil Type Built into Case

Transmission Range:

Up to 100 Feet Open Air (418 MHz @ 1mW)

Up to 1,000 Feet Open Air w/ Repeater (900MHz @ 100mW)

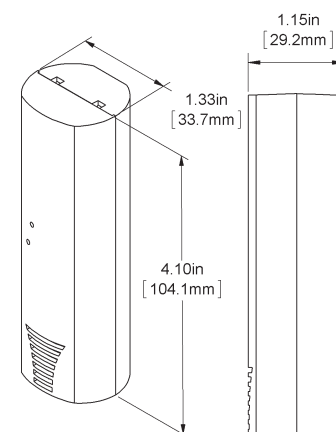
FCC Approval:

FCC Rules Part 15, Subpart B

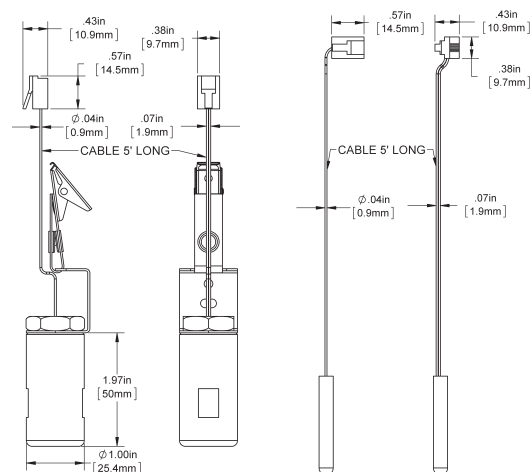
FCC ID# T4FSM061025 (418MHz Only)

Agency:

RoHS and Industry Canada (IC:9067A-SM061025)



**BAPI-Slim Wireless
Temperature Transmitter**



**External Hanging
Thermobuffer Sensor**

**External Remote
Probe Sensor**





Ordering Grids without List Prices are available on our website at www.bapihvac.com

BAPI-Slim Wireless Temperature Transmitter

		List Price	Your Order	
Ordering Information <i>BAPI-Slim Wireless Temperature Transmitter</i>				
BA/WT-SL	BAPI-Slim Wireless Temperature Transmitter		\$274	\$ _____
Temperature Sensor Configuration Required Selection				
-IS	Internal Sensor - On board 10K-2 thermistor (no external sensor jack connector)			
-RP	External Sensor - 1.75" SS Remote Probe with 10K-2 thermistor		\$18	\$ _____
-TB	External Sensor - 1" Hanging Thermobuffer with 10K-2 thermistor		\$105	\$ _____
-X	No Sensor - Includes an RJ11 jack for external sensor (Must order sensor separately)			
External Sensor Cable Type and Length Required if -RP or -TB is selected above				
-R5	PVC Ribbon Cable 5 feet		\$3	\$ _____
-R10	PVC Ribbon Cable 10 feet		\$6	\$ _____
-FEP5	FEP Round Cable 5 feet		\$5	\$ _____
-FEP10	FEP Round Cable 10 feet		\$10	\$ _____
External Sensor Connector Type Required if -RP or -TB is selected above				
-RJ11	RJ11 Plug		\$5	\$ _____
EXAMPLE				
BA/WT-SL	-RP	-R5	-RJ11	
Example Part Number: BA/WT-SL-RP-R5-RJ11: BAPI-Slim transmitter w/ remote probe and 5ft of ribbon cable			Total =	\$ _____
Your Part Number:				

Call BAPI if you have questions about the above ordering grid or the configuration of the product you are ordering.

Replacement Sensors for the BAPI-Slim Unit

		List Price	Your Order	
Ordering Information <i>Replacement Sensors for the BAPI-Slim Wireless Temperature Transmitter</i>				
BA/SL-102	External Sensor Assembly for the BAPI-Slim Wireless Temperature Transmitter			
Temperature Sensor Configuration Required Selection				
-RP	1.75" SS Remote Probe with 10K-2 thermistor		\$18	\$ _____
-TB	1" Hanging Thermobuffer with 10K-2 thermistor		\$105	\$ _____
External Probe Cable Type and Length Required Selection				
-R5	PVC Ribbon Cable 5 feet		\$3	\$ _____
-R10	PVC Ribbon Cable 10 feet		\$6	\$ _____
-FEP5	FEP Round Cable 5 feet		\$5	\$ _____
-FEP10	FEP Round Cable 10 feet		\$10	\$ _____
External Probe Connector Type Required Selection				
-RJ11	RJ11 Plug		\$5	\$ _____
EXAMPLE				
BA/SL-102	-RP	-R5	-RJ11	
Example Part Number: BA/SL-102-RP-R5-RJ11: 10K-2 Thermistor remote probe and 5ft of ribbon cable			Total =	\$ _____
Your Part Number:				

Call BAPI if you have questions about the above ordering grid or the configuration of the product you are ordering.

Related Products

<u>Part Number</u>	<u>Description</u>
BA/BAT-5AA	Replacement Battery for the BAPI-Slim Sensor, Lithium ½AA, 3.6 VDC
BA/RCV418-WAM-x	418MHz Wireless Receiver for BAPI Website Access
BA/RCV418-EZ	418MHz Wireless Receiver for Analog Output Modules
BA/RCV900-EA-EZ	900MHz Wireless Receiver for Analog Output Modules (requires a repeater)
BA/RPT49-EA-EZ	418 MHz to 900MHz Repeater
BA/VOM-10-x-EZ	0 to 10V Voltage Output Module
BA/COM-x-EZ	4 to 20mA Current Output Module
BA/ROM-10x-EZ	Resistance Output Module, 10K-2 Thermistor Output

