



Rev. 10/16/12

# AVI-ADAPT - Air Valve Interface Adapter

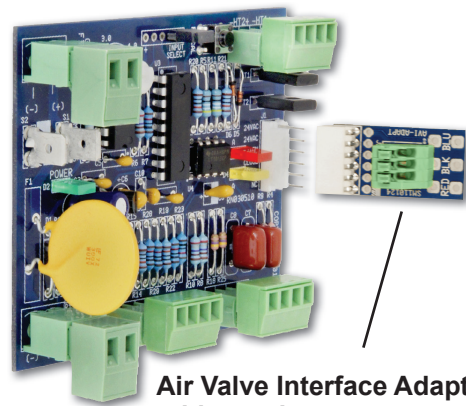
# G35

ETA Line

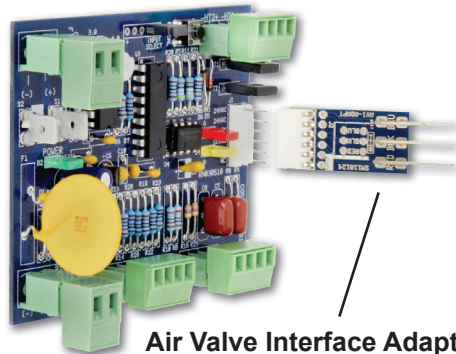
## Overview

The AVI-ADAPT - Air Valve Interface Adaptors are used to connect a VAV actuator cable to an AVI - Air Valve Interface (pg. G31) when the factory installed connector is missing from the actuator cable.

The Air Valve Interface Adaptors are a press fit on the output connector of the Air Valve Interface module. One adaptor has a toggle type connector for the actuator cable while the other adaptor has 1/4" quick connects for the actuator cable.



**Air Valve Interface Adaptor with toggle connector and the associated connector on the Air Valve Interface Module**



**Air Valve Interface Adaptor with 1/4" Quick Connects and the associated connector on the Air Valve Interface Module**

## Ordering Information

### Part Number and Description

#### BA/AVI-ADAPT

Air Valve Interface Adapter with toggle connector

#### BA/AVI-ADAPT-QC

Air Valve Interface Adapter with 1/4" Quick Connects

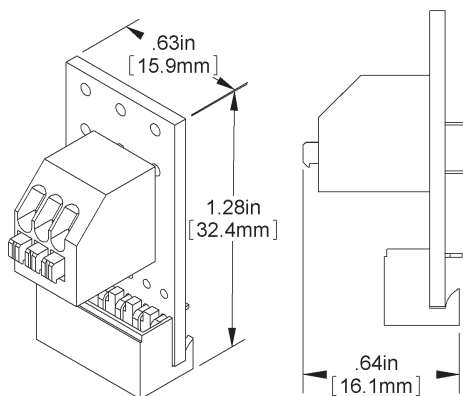
*See end of Section G for list pricing.*

## Specifications

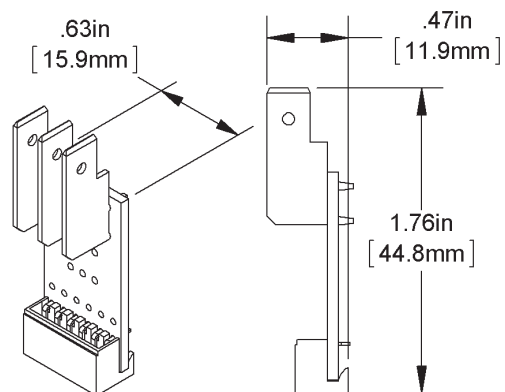
**Wire Size:** 20 to 26 Gauge

**Voltage:** NEC Class 2

**Current:** 500 mA Max



**BA/AVI-ADAPT**



**BA/AVI-ADAPT-QC**

