



BAPI-Stat “Quantum” Wireless Room Temperature or Temperature/Humidity Sensor

Installation & Operations

49875_Wireless_BLE_Quantum_Temp_Hum

rev. 03/13/24

Overview and Identification

- Optional temperature setpoint and occupant override
- User adjustable settings via receiver or WAM
- Onboard memory to store readings when communication is interrupted
- Transmits to a digital Gateway or a wireless-to-analog Receiver

The BAPI-Stat “Quantum” Wireless Sensor measures the room temperature or temperature/humidity and transmits the data via Bluetooth Low Energy to a receiver or gateway. It is available with optional temperature setpoint and occupancy override.

Sensors with optional Setpoint & Override
(Right image shown with optional 60mm mounting base)



Adjustable Settings

BAPI’s wireless devices have several settings that can be field adjusted to suit the needs of the installation. All settings are configured by either BAPI’s cloud based Wireless Asset Monitoring (WAM) or the receiver. (See the WAM or receiver instructions documents available on the BAPI website for more information on adjusting the settings.)

Sample Rate/Interval – The time between when the sensor wakes up and takes a reading. The available values are 1 min or 5 min with the gateway, or 30 sec, 1 min, 3 min or 5 min with the receiver.

Transmit Rate/Interval – The time between when the sensor transmits the readings to the gateway or receiver. The available values are 1, 2, 3, 4, 5, 10, 15, 20 or 30 minutes, or 1, 6 or 12 hours with the gateway, or 1, 5, 10 or 30 minutes with the receiver.

Delta Δ Temperature – The change in temperature between a sample and the last transmission that will cause the sensor to override the transmit interval and immediately transmit the changed temperature. The available values are 0.1, 0.2, 0.3, 0.4, 0.5, 1, 2, 3, 4, 5 °F or °C with the gateway, and 1 or 3 °F or °C with the receiver.

Delta Δ Humidity – The change humidity between a sample and the last transmission that will cause the sensor to override the transmit interval and immediately transmit the changed humidity. The available values are 0.5, 1, 2, 3, 4 or 5 %RH with the gateway, and 3 or 5 %RH with the receiver.

Temperature Min/Max – The maximum or minimum temperature that will cause the sensor to override the transmit interval and immediately transmit a reading to the gateway. (Only available when using a gateway.)

Temperature Offset – Adjusts the temperature value being transmitted to match that of a calibrated reference device. The available values are \pm 0.1, 0.2, 0.5, 1, 2, 3, 4 or 5 °F or °C. (Only available when using a gateway.)

Humidity Offset – Adjusts the humidity value being transmitted to match that of a calibrated reference device. The available values are \pm 0.5, 1, 2, 3 or 5 %RH. (Only available when using a gateway.)

Associated Receiver or Gateway

RECEIVER (Wireless-to-Analog)

The wireless receiver from BAPI receives the data from one or more wireless sensors. The data is then transferred to the analog output modules and converted to an analog voltage or resistance. The receiver supports up to 32 sensors and up to 127 different analog output modules.



GATEWAY

The wireless gateway receives the data from one or more wireless sensors. The gateway then provides the data to the cloud via MQTT. The gateway also sends a confirmation signal to each sensor upon a successful reception of data. The gateway supports up to 32 sensors.



See BAPI’s gateway instructions on the BAPI website (www.bapihvac.com/wp-content/uploads/50387_Wireless_BLE_Gateway.pdf) to establish communication between the sensors and gateway or the receiver instructions (www.bapihvac.com/wp-content/uploads/50335_Wireless_BLE_Receiver_AOM.pdf) to establish communication between the sensors and receiver.

Initial Activation

For convenience, BAPI recommends pairing the sensor to the intended receiver or gateway prior to mounting either device. Both devices need to be powered-on to pair. See the receiver or gateway installation manual for instructions on pairing the sensor.

Battery Power Units

The unit comes with two pre-installed batteries. To activate the unit, remove the base plate and pull out the two battery insulator tabs as shown in Fig. 2. Press the Service button and the Service LED should flash once to confirm power. If the sensor will not be commissioned for more than a couple of days, BAPI recommends reinstalling both battery insulator tabs to conserve battery life.

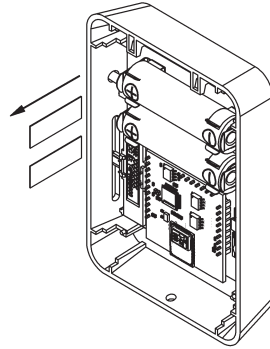


Fig. 2: Battery insulator tab removal

Wire Power Units

Wired power units have a power terminal block near the top center of the unit. To activate the unit, apply 9 to 30 VDC (50 mA max) or 15 to 28 VAC (50 mA max) as shown in Fig. 3. Press the Service button and the Service LED should flash once to confirm power.

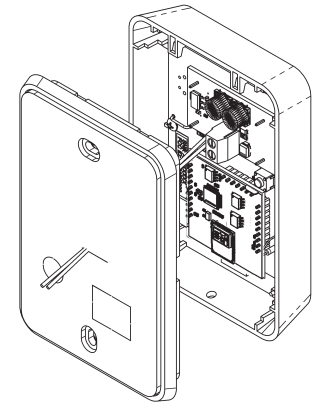
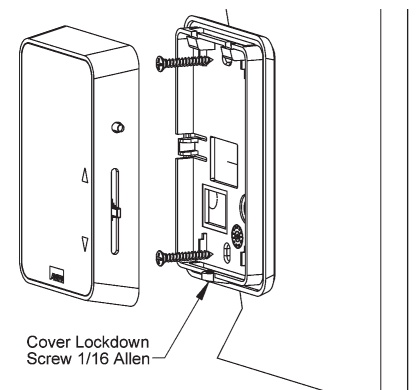


Fig. 3: Power applied to terminal block

Drywall Mounting

1. Place the base plate vertically against the wall where you want to mount the sensor and mark the two mounting holes.
2. Drill two 3/16" (4.8mm) holes in the center of each marked mounting hole. Insert a drywall anchor into each hole.
3. Secure the base to the drywall anchors using the #6 x 1" (25mm) mounting screws provided.
4. Attach Cover by latching it to the top of the base, rotating the cover down and snapping it into place. Secure the cover by backing out the lock-down screw using a 1/16" (1.6mm) Allen wrench until it is flush with the bottom of the cover.

Fig. 4: BAPI-Stat “Quantum” Mounting



Cover Lockdown Screw 1/16 Allen

Operation

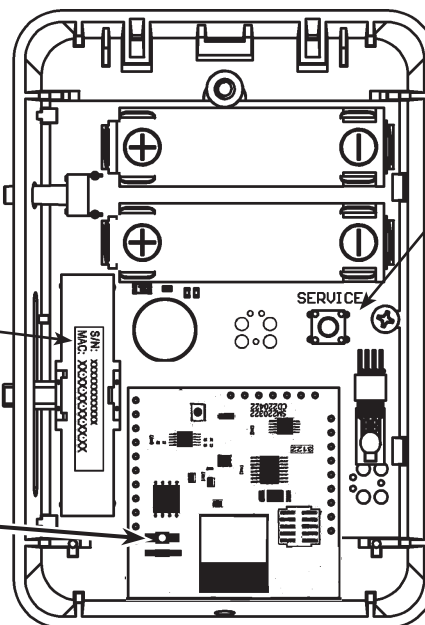
Power the unit as described in “Initial Activation” section. Follow the gateway or receiver instructions for pairing the unit and changing the adjustable settings. (The instructions are available on the BAPI website.)

Pressing the optional Override Button immediately sends an override signal that the room is occupied.

MAC Address label

Moving the optional Setpoint Slider increases or decreases the temperature setpoint.

Green LED flashes when the “Service” button is pressed or during the pairing process.



Pressing the “Service” button on the circuit board will force a transmission.

Fig. 5: Battery Powered BAPI-Stat “Quantum” Circuit Board with optional setpoint & override (The functionality is the same for wire power units.)

Wireless Sensor Reset

Sensors remain paired to the gateway or receiver and output modules when power is interrupted or the batteries are removed. To break the bonds between them, the sensors need to be reset. To do this, press and hold the “Service Button” on the sensor for about 30 seconds. During those 30 seconds, the green LED will be off for about 5 seconds, then flash slowly, then begin flashing rapidly. When the rapid flashing stops, the reset is complete. The sensor can now be paired to a new receiver or gateway. To re-pair to the same receiver or gateway, you must reset the receiver or gateway. Output modules that were previously paired to the sensor do not need to be re-paired.

Onboard Memory

Sensor retains up to 16,000 readings should the communication become interrupted. The sensor only stores readings from missed transmissions and only when the sensor is paired to a gateway. Once communication is re-established with the gateway, the stored readings are transmitted and then erased from the sensor. The current reading and nine previous readings are sent at each transmit interval until the sensor is caught up. Temporarily shortening the transmit interval will allow the sensor to more quickly clear any stored readings.

Battery Replacement

1. Remove the cover from the base plate by turning in the cover lockdown screw with a 1/16” (1.6mm) Allen wrench until the cover can be removed.
2. Remove the used batteries from their holders and discard in an environmentally safe manner. Replace with new batteries in the correct orientation (Fig 6).
3. Attach Cover by latching it to the top of the base, rotating the cover down and snapping it into place. Secure the cover by backing out the lock-down screw using a 1/16” (1.6mm) Allen wrench until it is flush with the bottom of the cover.

Battery Specifications:

Two 3.6V Lithium batteries: (#14505, 14500 or equivalent)

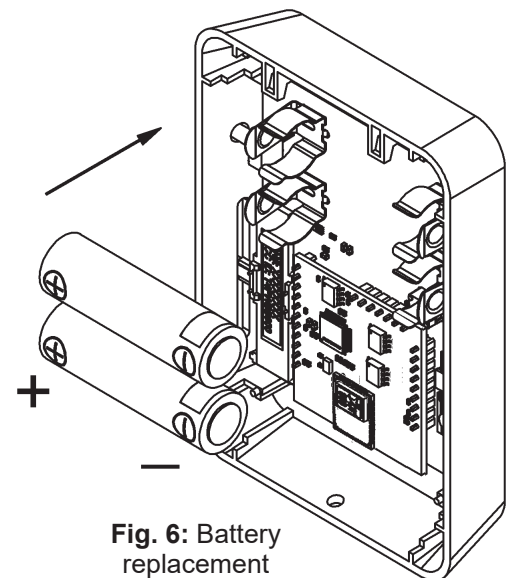


Fig. 6: Battery replacement

Diagnostics

Possible Problems:

Sensor is not communicating with the gateway or receiver, or the transmitted values are incorrect.

Possible Solutions:

Make sure the sensor is within range of the gateway or receiver.

Verify that the green LED on the sensor circuit board flashes when the “Service” button is pressed, indicating a transmission. If it does not flash, replace the batteries.

Verify that the sensor is properly paired to the gateway or receiver and analog output modules as described in the gateway or receiver instructions available on the BAPI website. Re-pair them if needed. If necessary, perform the “Wireless Sensor Reset” procedure described above.



BAPI-Stat "Quantum" Wireless Room Temperature or Temperature/Humidity Sensor

Installation & Operations

49875_Wireless_BLE_Quantum_Temp_Hum

rev. 03/13/24

Specifications

Battery Power: Two included 3.6V 14505, 14500 or equiv. lithium batteries (Standard AA batteries are not compatible)

Wire Power: 9 to 30 VDC or 24 VAC, halfwave rectified

Sensor Accuracy:

Temperature: $\pm 1.7^{\circ}\text{F}$ (0.95°C) from 32 to 158 $^{\circ}\text{F}$ (0 to 70 $^{\circ}\text{C}$)

Humidity: $\pm 2\% \text{RH}$ @ 77 $^{\circ}\text{F}$ (25 $^{\circ}\text{C}$), 20 to 80%RH

Temperature Range: -4 to 221 $^{\circ}\text{F}$ (-20 to 105 $^{\circ}\text{C}$)

Transmission Distance: Varies by application*

Environmental Operation Range:

Temp: -4 to 149 $^{\circ}\text{F}$ (-20 to 65 $^{\circ}\text{C}$)

Humidity: 10 to 90%RH non-condensing

Enclosure Material & Rating: ABS Plastic, UL94 V-0

Frequency: 2.4 GHz (Bluetooth Low Energy)

Receiver Sensitivity: -97 dBm

User Adjustable Settings:

Delta T (Temp): 0.1 $^{\circ}\text{F}/^{\circ}\text{C}$ to 5.0 $^{\circ}\text{F}/^{\circ}\text{C}$

Delta T (Humidity): 0.1%RH to 5.0%RH

Transmit Interval: 30 sec to 12 hour***

Sample Interval: 30 sec to 5 min***

Temp Offset: $\pm 0.1^{\circ}\text{F}/^{\circ}\text{C}$ to $\pm 5.0^{\circ}\text{F}/^{\circ}\text{C}$

Humidity Offset: $\pm 0.1\% \text{RH}$ to $\pm 3.0\% \text{RH}$

Onboard Memory:

Sensor retains up to 16,000 readings should the communication become interrupted. If using a Gateway, the data is re-transmitted once communication is re-established.

Agency: RoHS / FCC: T4FSM220913 /
IC: 9067A-SM220913

This device complies with Part 15 of the FCC Rules. Operation is subject to the following two conditions:

1. This device may not cause harmful interference, and
2. This device must accept any interference received, including interference that may cause undesirable operation.

Any changes or modifications not expressly approved by BAPI could void the user's authority to operate the equipment.

This device complies with Industry Canada (IC) license-exempt RSS standard(s). Operation is subject to the following two conditions.

This device may not cause interference.

This device must accept any interference, including interference that may cause undesired operation of the device.

Le présent appareil est conforme aux CNR d'Industrie Canada applicables aux appareils radio exempts de licence. L'exploitation est autorisée aux deux conditions suivantes.

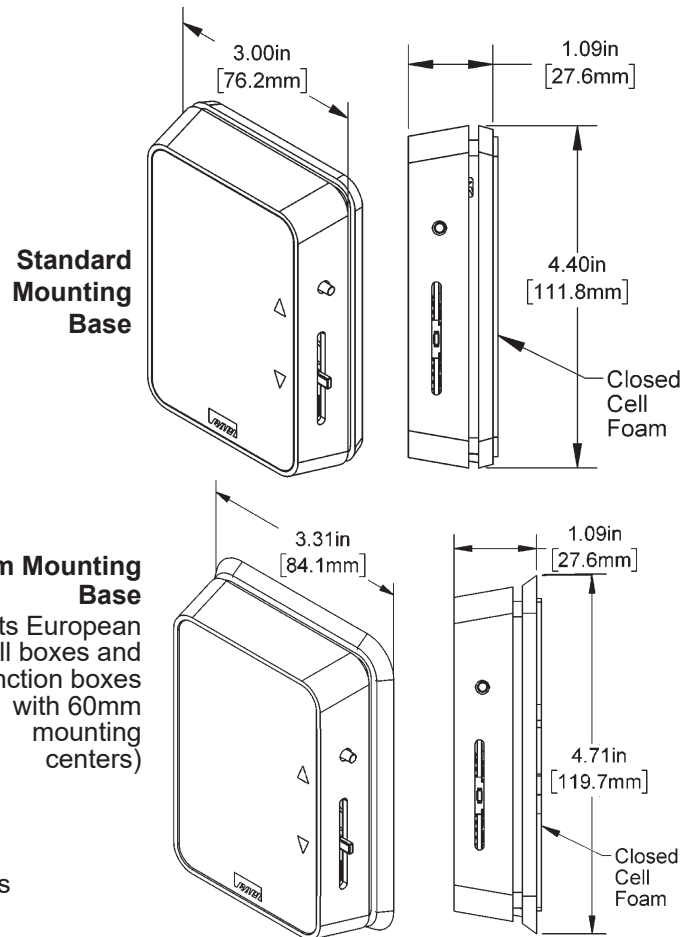
L'appareil ne doit pas produire de brouillage.

L'appareil doit accepter tout brouillage radioélectrique subi, même si le brouillard est susceptible d'en compromettre le fonctionnement.

*In-building range is dependent on obstructions such as furniture and walls and the density of those materials. In wide open spaces, the distance may be greater; in dense spaces, the distance may be less.

**Actual battery life is dependent on the sensor's adjustable settings and environmental conditions.

***The available transmit intervals and sample intervals are different depending on whether the system is using a gateway or a receiver.



BAPI-Stat "Quantum" Units Calculated Battery Life**		
Transmit Interval	Sample Rate	Estimated Life (years)
30 sec	30 sec	1.12
1 min	1 min	1.89
3 min	1 min	3.83
5 min	5 min	7.08
10 min	5 min	8.93

Specifications subject to change without notice.