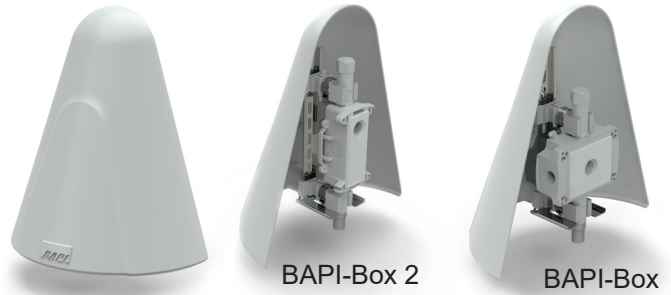


Overview & Identification

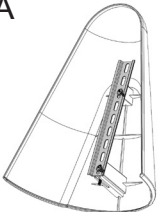
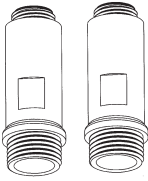
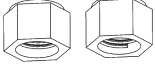

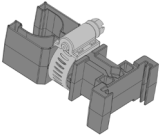
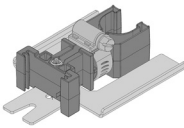
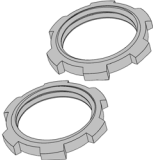
External temperature and humidity sensors are affected by solar heat gain. The BAPI Weather Shade effectively reduces the solar heat gain, improving the accuracy of the sensor.

The pre-assembled Weather Shade Kit includes a shade and din rail bracket, two capped mounting tubes, one adjustable clamp and one adjustable clamp with bracket.



Mounting

Parts List

<p>A</p>  <p>Weather Shade Cone</p>	<p>B</p>  <p>Probes</p>	<p>C</p>  <p>Probe Caps</p>	<p>D</p>  <p>Wingnut</p>	<p>E</p>  <p>Clamp without Bracket</p>	<p>F</p>  <p>Clamp with Bracket</p>	<p>G</p>  <p>Locknuts</p>
---	---	---	--	---	---	---

1. Mount Temp/Humidity sensor on a north facing wall.
2. Screw Part B to top of enclosure. See note* below.
3. Place Part E on Part B with screw facing up and tighten hose clamp. Then screw on Part C to top of Part B.
4. Place Part F on bottom probe with hose clamp screw facing up and tighten hose clamp screw.
5. Line up bracket to mounting surface and tighten screw so bracket is flush with mounting surface.
6. Obtain Part A and slide DIN rail through inner slots of Parts E and F and push until it stops.
7. Screw Part D on to bolt of cone (Part A) and fasten to Part F.

*Note: Part G provided if threads do not exist in the enclosure.

**Note: If Weather Shade is swiveling, refer to Step 5 and ensure bracket is flush with mounting surface.

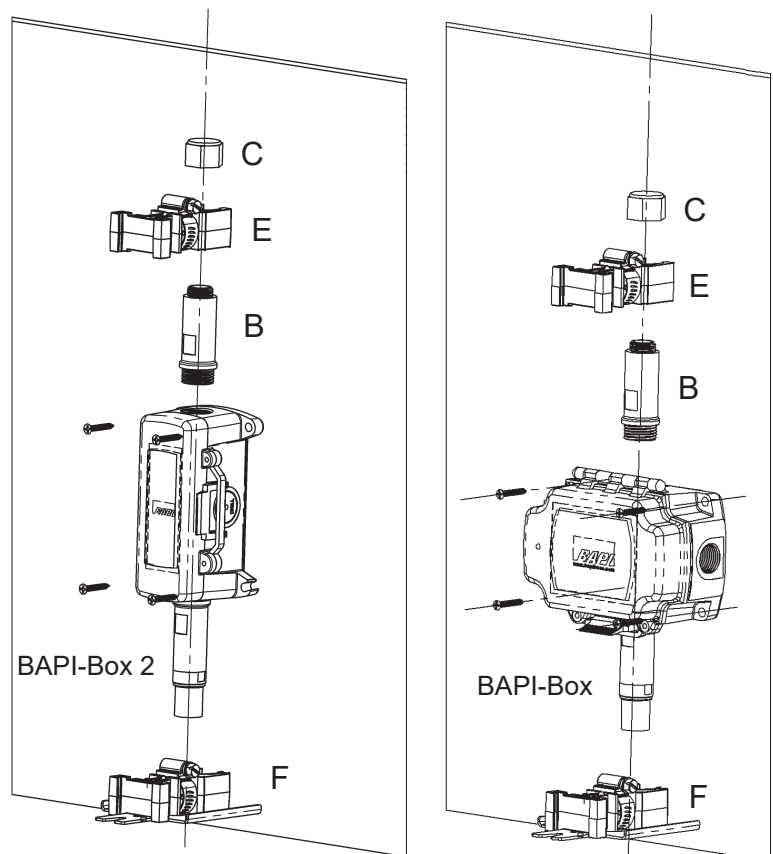


Fig. 1: Mounting to the BAPI-Box 2 & BAPI-Box outdoor air sensors

Specifications

Shade Material:

UV-stabilized Polycarbonate

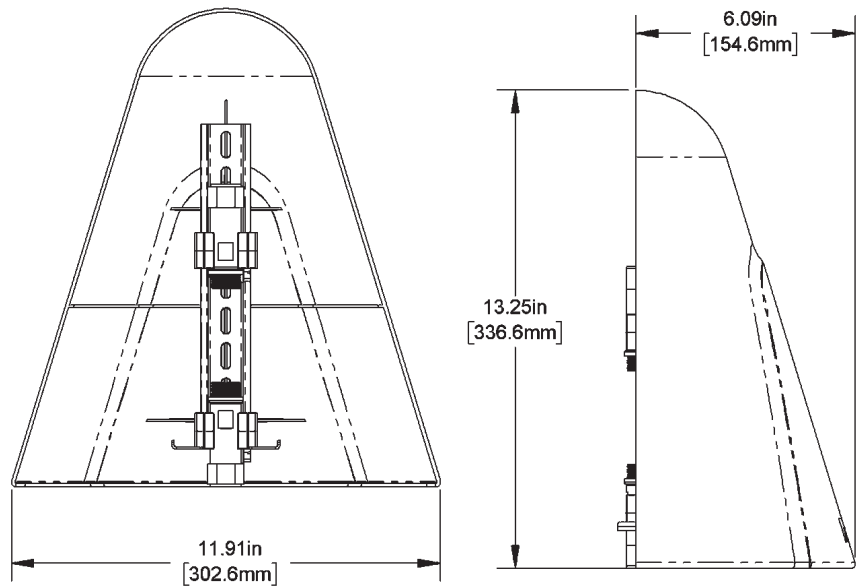
Shade Material Ratings:

Flammability: UL 94

UV Exposure: UL746C

Reflectivity: 87%

Emissivity: 0.90



Specifications subject to change without notice.

Diagnostics

Possible Problem

Weather Shade appears loose or not firmly mounted.

Possible Solution

Tighten the hose clamps on the top and bottom clamps and make sure the wing nut is tightened firmly against the bottom bracket.

Weather shade does not sit parallel to the wall

Make sure the DIN rail is going through the INNER slot in both the top and bottom clamps.