

Link Router Communications Adaptor (LRCA)

The Link Router Communications Adapter (LRCA) adds an RJ jack for computer access to a Carrier® i-Vu Link/Router.

Remove the 5 pole CCN communication connector from the Link/Router and attach the LRCA to the header (it only goes on one way).

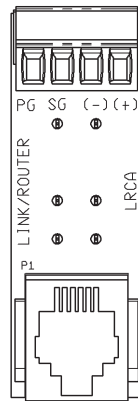


Fig 1:
LRCA Front View

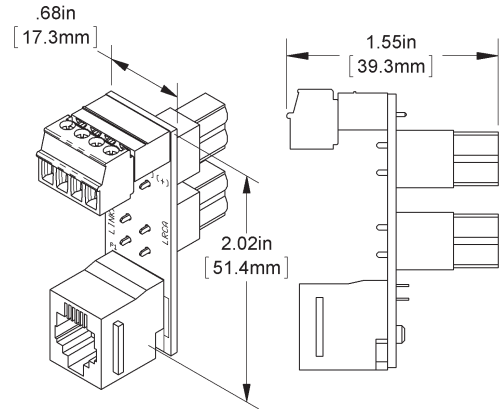


Fig 2:
LRCA Dimensions

Power Supply Output Current Limiter (PSOCL)

The Power Supply Output Current Limiter (PSOCL) is used to buffer the output of the BAPI PS17, PS18 or PS19 Power Supplies when used to power the Carrier® i-Vu Link/Router.

Select a PS output terminal to power the Link/Router. Remove the terminal block from the PS. Attach the PSOCL to the header (it only goes on one way). Place the terminal block on the PSOCL. BAPI recommends that only one Link/Router be powered from each PSOCL. Do not power any other load through the PSOCL.

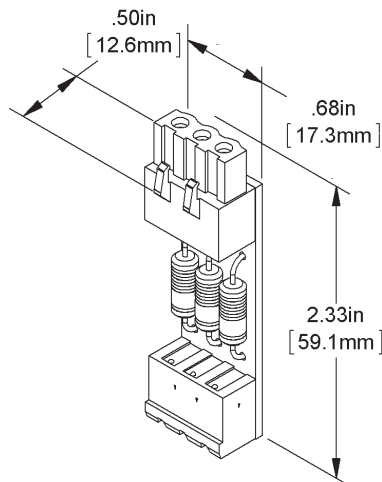


Fig 3:
PSOCL Dimensions

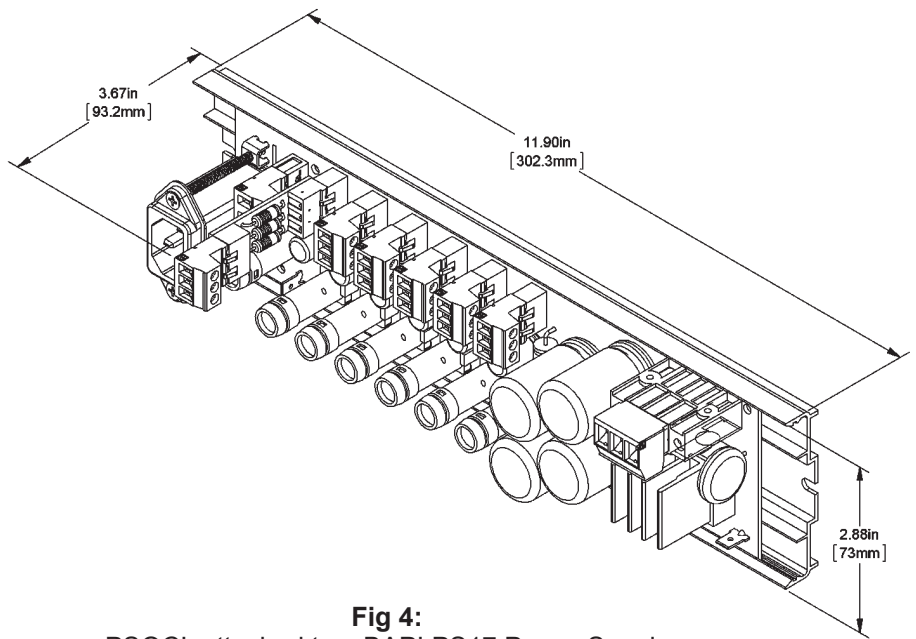


Fig 4:
PSOCL attached to a BAPI PS17 Power Supply

Specifications subject to change without notice.

Link Router Bracket (LRB)

Use the Link Router Bracket (LRB) to mount components such as a Carrier® i-Vu Link/Router, Automated Logic Corporation® SIM or LGR in a BAPI Steel Enclosure (BA/44208N1S or BA/322008N1S)

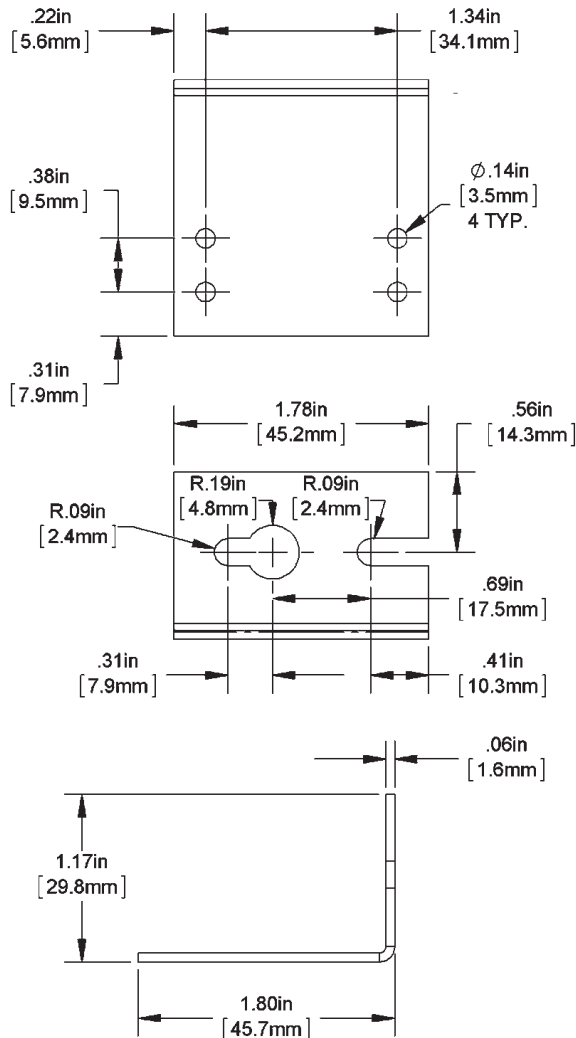


Fig 5:
Link Router Bracket Dimensions

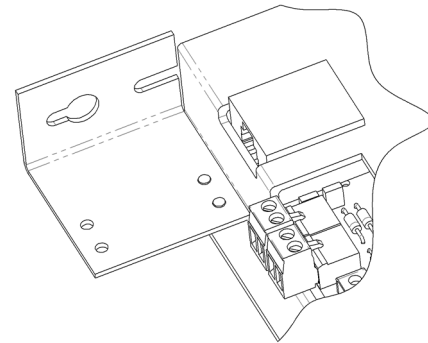


Fig 6:
Link Router Bracket
Attachment Detail

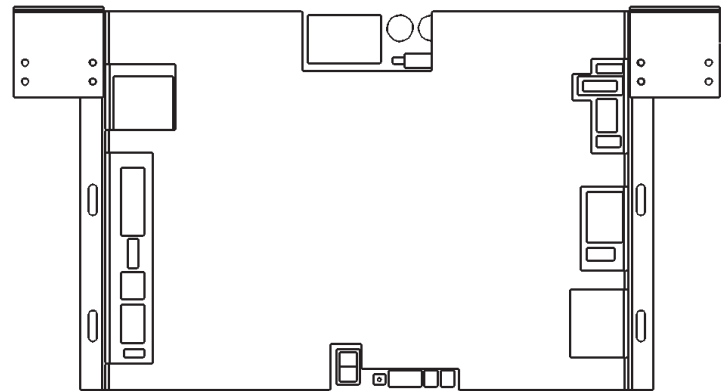


Fig 7:
Suggested Bracket Attachment for Carrier® i-Vu Link/Router

Place the bracket over the top left and top right mounting holes on the Carrier® i-Vu Link/Router. Attach the bracket by driving two 1/4" 8-32 screws (provided) from behind through the Link/Router mounting hole into the taped holes on the bracket. The brackets will fit over screws in the predrilled enclosure backplate.

Carrier® is a trademark of Carrier® Corporation, Registered in the United States and other countries.
Automated Logic Corporation® is a trademark of Carrier® Corporation, Registered in the United States and other countries.

Specifications subject to change without notice.