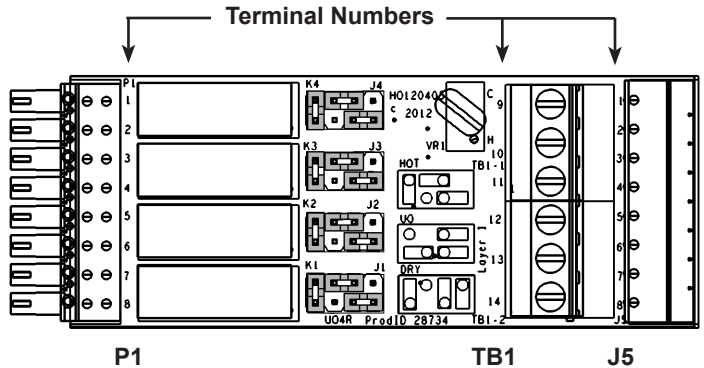


### Overview

The BAPI UO4R Output Relay Board is designed to assist the Automated Logic SSP/dealer network by reducing installation labor, panel space, material costs, and decrease engineering on every project. No additional termination strips are required.

The UO4R plugs into the outputs on the ME(X) line of controller/expander modules. The UO4R can be easily configured through shunt jumpers to switch 24 VAC/VDC to power relays, provide a dry contact or provide a standard universal output. The unit is shipped with all jumpers set to power relays (Hot). The UO4R includes a top row of common terminals for connection to 24VAC or 24VDC for powering modulating actuators.

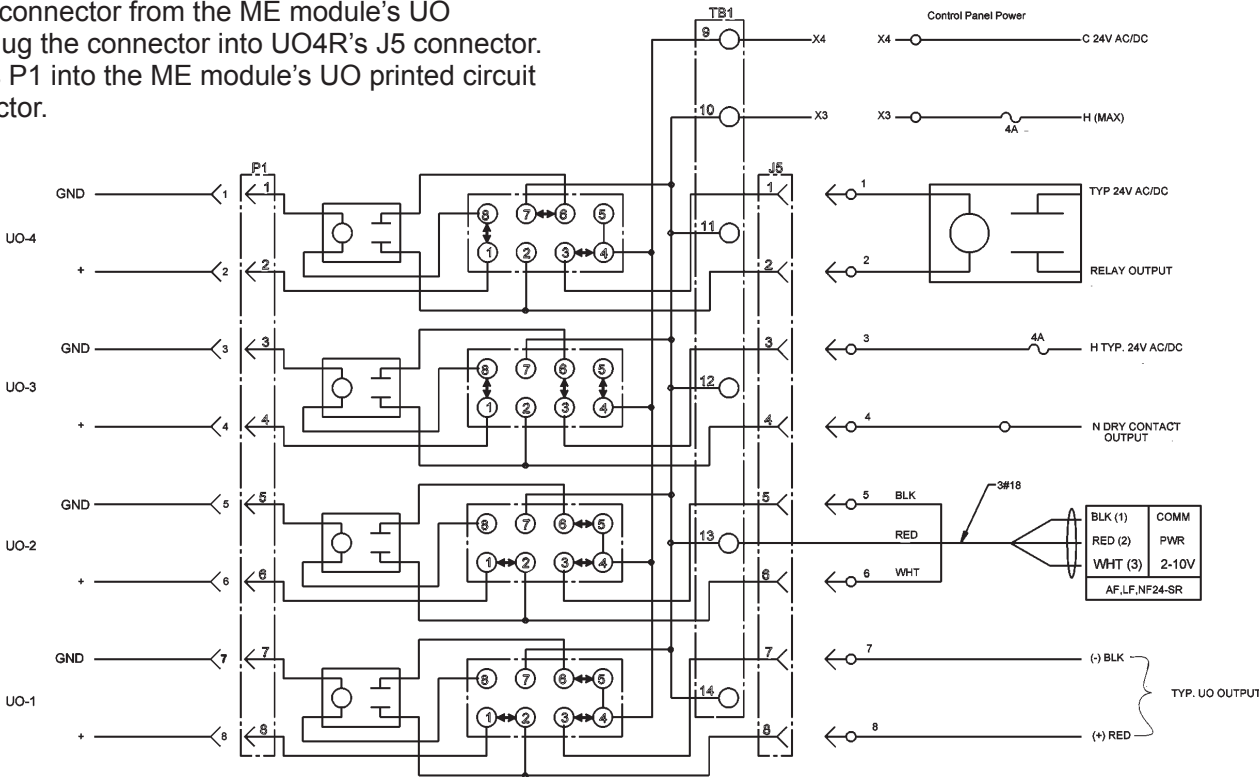


**Fig. 1:** UO4R Output Relay Board (Shunt Jumpers shown in the default "Hot, Sourcing Power" locations)

### Termination

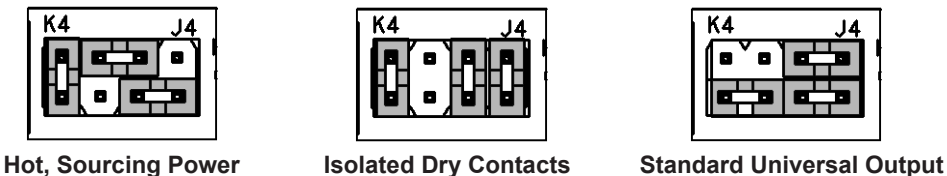
Remove the connector from the ME module's UO terminals. Plug the connector into UO4R's J5 connector. Plug UO4R's P1 into the ME module's UO printed circuit board connector.

**Fig. 2:** Typical Field Wiring



**Note:** TB1, Pin 9 must be connected to the controller analog ground

**Fig. 3:** Shunt Jumper Locations



Specifications subject to change without notice.



### Diagnosics

#### Possible Problem:

No Output

#### Possible Solutions:

- Poor connection between controller and UO4R board.
- Check controller terminals. Clean if necessary.
- Check power supply/control voltage for power.

No Power Through Digital Output

- The jumper is not in the correct position. Check jumper location.
- Check controller terminals. Clean if necessary.
- Check power supply/control voltage for power.
- The jumper is not in the correct position. Check jumper location.
- Check controller terminals. Clean if necessary.
- Check power supply/control voltage for power.
- Check for power and ground on TB1 pins 9 and 10

### Specifications

- Power Rating:** 24 VAC, 24 VDC, 3 A, NEC Class II
- Connections:** Terminals, 16 to 22 AWG
- Mounting:** Terminal Connection Only; Stand-Offs Provided
- Dimensions:** 1.3"W x 3.3"L x 1.3"H, (33.0mm x 83.8mm x 33.0mm)

Specifications subject to change without notice.