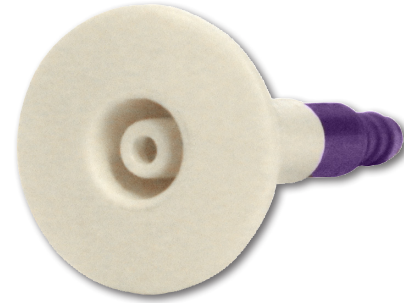




Features & Options

- Small Flush Pressure Port Mounting
- Accurate Air Pressure Measurement
- Paintable with Latex or Oil Base
- Five-Micron Filter
- Built in Surge Damper
- Accommodates 1/8" I.D. to 5/32" I.D. Tubing

The Low Profile Pressure Port is ideal for locations where aesthetics are as important as the pressure measurement. The inconspicuous sensor mounts easily by pushing through a 7/16" hole and secured with an adhesive ring. The only visible portion is a flush 7/8" dot on the wall. The built in surge damper provides five-micron filtering and smoothes out rapid variations in air pressure for a more stable reading.



Low Profile Pressure Pickup Port

ORDERING INFORMATION

Part Number: ZPS-ACC20

Specifications

Mounting: 7/16" hole, push in plastic sheath with an adhesive ring

Configuration: Round Flush Sensor Sheath

Dimensions:

Insertion: 1.74" depth (44.2mm), into a 0.438" hole

Sleeve: 0.375" (9.53mm) Diameter

Bezel: 0.88" (22.2mm) Diameter

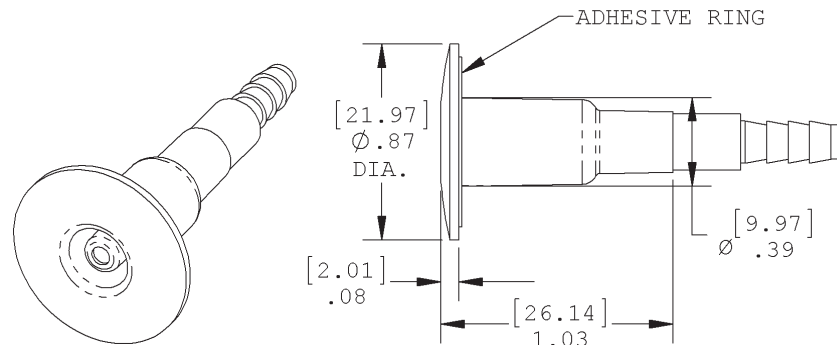
Material: Plastic, UL94V-0

Filter: 5 Micron

Ambient:

0 to 100% RH, Non-condensing

-40 to 185°F, (-40 to 85°C)





Rev. 10/14/14

Low Profile Pressure Pickup Port

Zone Pressure Sensors (ZPS)

C23

Ordering Information

<u>PART NUMBER</u>	<u>DESCRIPTION</u>
ZPS-ACC20.....	Low Profile Pressure Pickup Port



Wall & Ceiling Pressure Pickup Ports

Wallplates and Delta Style units available as pressure pickups alone or as combination pressure pickup and temperature sensor

BAPI's Wall Pressure Pickup Port comes standard on a brushed stainless steel plate or in a Delta Style enclosure, both sized to fit a common 2" x 4" electrical box. A foam gasket seals the plate or enclosure to the wall to insure the integrity of the measured space. The Wall Plate and Delta Style Enclosure can be used for pressure alone or as a combination temperature sensor and pressure pickup port.

BAPI also offers a Ceiling Mount Cover designed to fit a standard 3/4" thick suspended ceiling tile. If additional protection is required in the ceiling, a second ceiling cover fits on a common 2" x 4" electrical box. The brass fitting on the back of all Pickup Ports accommodates standard 1/8" to 5/32" I.D. tubing.



Delta Style Enclosure



Wall Plate



Ceiling Mount Square Cover



Ceiling Mount Cover & J-Box

For more info, see pages C18-19

