



Wall & Ceiling Pressure Pickup Ports & Temp./Pressure Pickup Combos

Features & Options

- Economical & Easy to Install
- Includes 100 Micron Filter
- Accommodates 1/8" I.D. to 5/32" I.D. Tubing

The Wall Pressure Pickup Port comes standard on a brushed stainless steel plate or in a Delta Style enclosure, both sized to fit a common 2" x 4" electrical box. A foam gasket seals the plate or enclosure to the wall. The Wall Plate and Delta Style Enclosure can be used for pressure alone or as a combination temperature sensor and port.

BAPI also offers a Ceiling Mount Square Cover that fits a standard 3/4" thick suspended ceiling tile and a rectangular version with a 2" x 4" electrical box.

The Low Profile Port is ideal for locations where aesthetics are as important as the pressure measurement. The only visible portion is a flush 7/8" dot on the wall. The built in surge damper smoothes out rapid variations in air pressure for a more stable reading.



Wall Plate

Delta Style Enclosure



Ceiling Mount Cover & J-Box



Ceiling Mount Square Cover



Low Profile Port

Specifications

Environmental Operation Range:

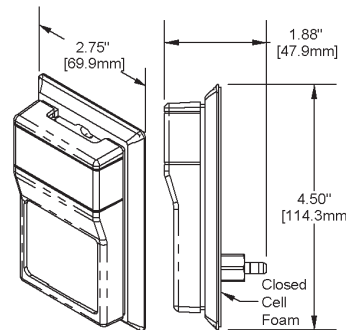
Delta Style, Wall & Ceiling Plates
 Temp: 32 to 122 °F (0 to 50 °C)
 Humidity: 0% to 95% RH, non-condensing

Low Profile Port
 Temp: -40 to 185°F, (-40 to 85°C)
 Humidity: 0% to 100% RH, non-condensing

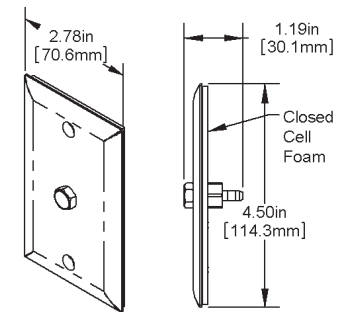
Material:

Delta Style & Low Profile:
 ABS Plastic, UL 94, V-0

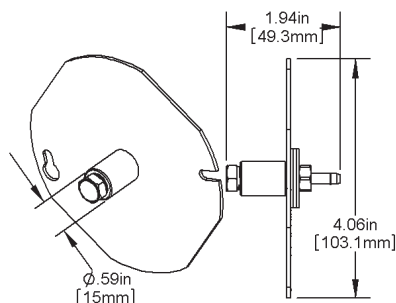
Wall & Ceiling Plates: Stainless Steel



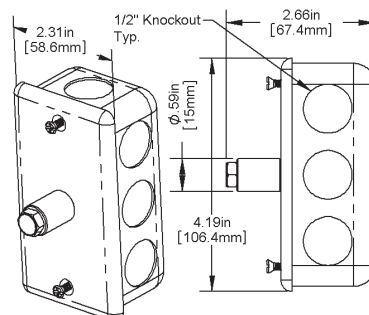
Delta Enclosure



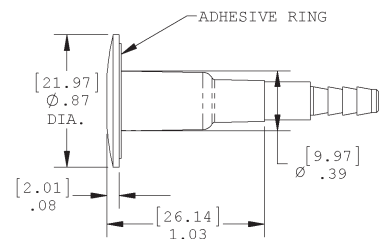
Wall Plate



Ceiling Mount Cover



Ceiling Mount Cover & J-Box



Low Profile Port





Wall & Ceiling Pressure Pickup Ports

Ordering Information				Pressure Pickup Ports	
ZPS					
Pressure Pickup Type					
-ACC	Option Description				
	01	2" X 4" Stainless Steel Wall Plate with Static Pickup			
	02	Unassigned			
	03	Room Mount Delta Style Enclosure with Static Pickup			
	04	Unassigned			
	05	Ceiling Mount Square Cover with Static Pickup			
	06	Ceiling Mount Rectangular 2" X 4" Cover and Box with Static Pickup			
	20	Low Profile Pressure Pickup Port			
EXAMPLE					
ZPS	-ACC	03			
Example Part Number: ZPS-ACC03					
Your Part Number:					

Combination Wall Pressure Pickup Port & Temperature Sensors

Ordering Information				Combination Pressure Pickup Port & Temp Sensors	
ZPS					
Pressure Pickup Type					
-ACC	Option Description				
	01	2" X 4" Stainless Steel Wall Plate with Static Pickup			
	02	Unassigned			
	03	Room Mount Delta Style Enclosure with Static Pickup			
	04	Unassigned			
Temperature Sensor Type					
	-0	100 Platinum RTD, 100 Ω @ 0 °C, 0.385 Δ /°C temp. coeff.			
	-1375	1K Platinum RTD, 1,000 Ω @ 0 °C, 3.75 Ω/°C temp. coeff.			
	-1	1K Platinum RTD, 1,000 Ω @ 0 °C, 3.85 Ω/°C temp. coeff.			
	-2	2K Silicon RTD, 2,000 Ω @ 20 °C, 8 Ω/°C temp. coeff.			
	-18	1.8K Thermistor, 1,800 Ω @ 25 °C			
	-22	2.2K Thermistor, 2,200 Ω @ 25 °C			
	-3	3K Thermistor, 3,000 Ω @ 25 °C			
	-33	3.3K Thermistor, 3,300 Ω @ 25 °C			
	-102	10K-2 Thermistor, 10,000 Ω @ 25 °C			
	-103	10K-3 Thermistor, 10,000 Ω @ 25 °C			
	-10311	10K-3(11K) Therm., 5,238 Ω @ 25 °C, 11kΩ shunt resistor			
	-20	20K Thermistor, 20,000 Ω @ 25 °C			
	-47	47K Thermistor, 47,000 Ω @ 25 °C			
	-50	50K Thermistor, 50,000 Ω @ 25 °C			
	-100	100K Thermistor, 100,000 Ω @ 25 °C			
	-334	LM334 Semiconductor			
	-592	AD592 Semiconductor, 273 μA @ 0 °C			
	-592-10K	AD592 Semiconductor with a 10 kΩ shunt resistor, 2.73 V @ 0 °C			
EXAMPLE					
ZPS	-ACC	03	-102		
Example Part Number: ZPS-ACC03-102					
Your Part Number:					

Call BAPI if you have questions about the above ordering grid or the configuration of the product you are ordering.

Ceiling Mount Pickup Installation

The Ceiling Mount pickup is designed to fit through a standard 3/4-inch thick ceiling tile. Cut a 5/8-inch hole in the tile and place the static pressure sensor on top of the tile with the filter extending through the hole. The filter should stick out slightly below the tile's room surface. Attach tubing to the barbed fitting on the back of the pickup port and run the tubing to the pressure sensor. An optional Junction Box is available for the cover to protect the barbed fitting.

