



Rev. 10/16/12

Setpoint Output Module (SOM)

F23

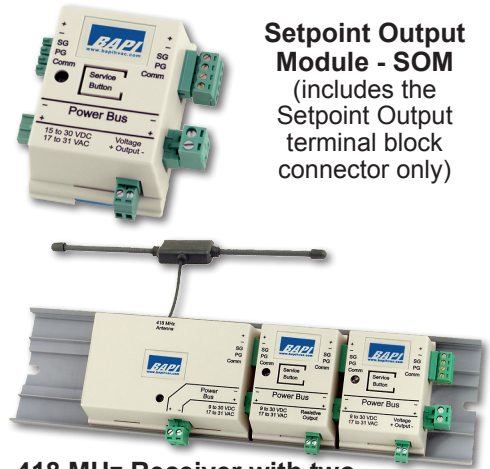
418 MHz Wireless System

Overview

The Setpoint Output Module (SOM) converts the Setpoint data from the Wireless Receiver into a Resistance or Voltage for the DDC controller.

The SOM receives the setpoint data from a BAPI 418 or 900 MHz Receiver through a four-wire bus. Up to 127 different Setpoint Output Modules or Analog Output Modules can be connected to a single receiver to send multiple variables to the controller.

The Setpoint Output Module is easily trained to a single transmitter setpoint with a pushbutton and LED. The SOM is surface, 2.75" snaptrack or 35mm din rail mountable.



Setpoint Output Module - SOM
(includes the Setpoint Output terminal block connector only)

418 MHz Receiver with two Analog Output Modules

VOLTAGE OUTPUT PART #S:

- BA/SOM-00-EZ:** 0 to 5 Volts Output
- BA/SOM-01-EZ:** 1 to 5 Volts Output
- BA/SOM-02-EZ:** 3.7 to .85 Volts Output
- BA/SOM-03-EZ:** 5 to 0 Volts Output
- BA/SOM-04-EZ:** 4.2 to 1.2 Volts Output
- BA/SOM-05-EZ:** 2.75 to 3.34 Volts Output
- BA/SOM-06-EZ:** 2.88 to 3.17 Volts Output
- BA/SOM-10-EZ:** 0 to 10 Volts Output
- BA/SOM-11-EZ:** 2 to 10 Volts Output

RESISTANCE OUTPUT PART #S:

- BA/SOM-50-EZ:** 0 to 5k Ohms Output
- BA/SOM-51-EZ:** 7.87k to 2.87k Ohms Output
- BA/SOM-60-EZ:** 0 to 10k Ohms Output
- BA/SOM-61-EZ:** 15k to 5k Ohms Output
- BA/SOM-62-EZ:** 9,577 to 1,422 Ohms
- BA/SOM-63-EZ:** 1k to 11k Ohms Output
- BA/SOM-80-EZ:** 0 to 20k Ohms Output
- BA/SOM-81-EZ:** 4.75k to 24.75k Ohms Output
- BA/SOM-82-EZ:** 6.19k to 26.19k Ohms Output
- BA/SOM-83-EZ:** 7.87k to 27.87k Ohms Output
- BA/SOM-84-EZ:** 10k to 30k Ohms Output
- BA/SOM-85-EZ:** 24.75k to 4.75k Ohms Output
- BA/SOM-91-EZ:** 25k to 75k Ohms Output
- BA/SOM-102-C-EZ:** 10K-2 Thermistor, 50 to 90°F

ACCESSORY TERMINALS:

- BA/AOM-CONN:** Pluggable Terminal Block Kit
(See page F20)

See end of Section F for list pricing.

Specifications

Supply Power: (half wave)

Resistance models: 9-30 VDC or 17-31 VAC
0-5VDC models: 9-30 VDC or 17-31 VAC
0-10VDC models: 15-30 VDC, 17-35 VAC

Output Current: 1 mA

Analog Input Bias Voltage: 5 VDC max
(Resistance Output Models only)

Power Consumption:

3 mA max. DC, .1 VA max AC

Lost Comm. Timeout: 15 min. (Fast Flash)
Reverts to its last command

Bus Cable Distance:

4,000 ft with shielded, twisted pair cable
(Belden 9841, Belden 8132 or equivalent)

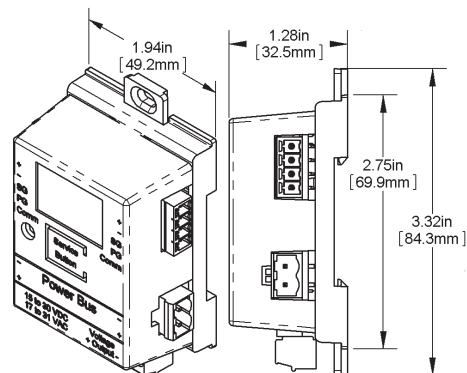
Output Resolution:

Resistance Output: ~40 ohms
Voltage Output: 10 bit

Environmental Operation Range:

Temp: 32°F to 140°F (0°C to 60°C)
Humidity: 5% to 95% RH non-condensing

Material & Rating: ABS Plastic, UL94, V-0



Setpoint Output Module

