

Rev. 12/15/17

### Temperature & Humidity Setpoint Adjustment

#### Features & Options

- Large Easy-to-Read Display, °F or °C Indication
- Fully Compensated 2%RH Sensor
- Temp and Humidity Sensing with Temperature Setpoint Adjustment
- User Adjustable Toggle Rate Between Temp and Humidity Display
- Optional Humidity Setpoint and Occupant Override
- Two Year Warranty



**BAPI-Stat 4 X-Combo  
with Setpoint & Override**

The BAPI-Stat 4 "X-Combo" Room Unit features local indication of both temperature and humidity and temperature setpoint adjustment.

Additional options include humidity setpoint adjustment and Local Occupant Override.

#### BAPI-Stat 4 Trim Ring

When using a back box with the BAPI-Stat 4, the trim ring covers any wall imperfections between the back box and the wall.



See the  
Accessories Sec.

The LCD shows room temperature in °C or °F and room humidity in %RH with a user adjustable toggle rate between temperature and humidity display. In addition, the unit has adjustable offsets for both temperature and humidity and both transmitter ranges can be configured in the field.

The unit has 4 output channels. Channels 1 & 2 can be ordered as voltage or current, Ch. 3 can be ordered as voltage or resistance and Ch. 4 is for a 10K-2 Thermistor temperature sensor.

#### Specifications

**Supply Volts:** (Contact BAPI if AC power is required)

0 to 10V Output: 16 to 30VDC

0 to 5V & 4 to 20mA Output: 12 to 30VDC

**Supply Power:** VDC = 50mA

**Temp Sensor:** ±0.3°C (±0.54°F)@20 to 40°C (68 to 104°F)

**RH Sensor:** Capacitive, ±2% Accuracy, 20% to 80%@25°C

**Available Outputs:** 3 Configurable, 1 Passive Sensor

Channels 1 & 2 Voltage or Current

Channel 3 Voltage or Resistance

Channel 4 Passive Sensor

**Output Signals:**

Voltage, VDC 0 to 5V, 1 to 5V, 0 to 10V,  
2 to 10V, Impedance>10KΩ

Current (Sourcing) 4 to 20mA, 500Ω@13.5VDC

Resistance (Setpoint) Available on Ch. 3 Only

Passive Sensor (Ch. 4) 10K-2 Thermistor

**Input (Digital):** 1 (Lights Occupied Icon)

**Termination:** 8 Terminals, 16 to 22 AWG

**Optional Override:** Shunt on any of 4 Channels

**Optional Comm. Jack:** Located in Base

#### 10K-2 Thermistor Sensor Specifications

**Resistance:** 10 kΩ @ 25°C, -55°C to 150°C range

**Standard Accuracy:** 0.2°C (±0.36°F) at 0 to 70°C

**Dissipation Constant:** 2.7 mW/°C

**Stability(drift):** Less than ±0.1°C (0.18°F) drift over 10 years.

\*BAPI recommends that you do not run wiring for the room units in the same conduit as line voltage wiring or with wiring used to supply highly inductive loads such as motors, generators, and coils.

**Indicators on Display:** Temp, RH, SP, Override

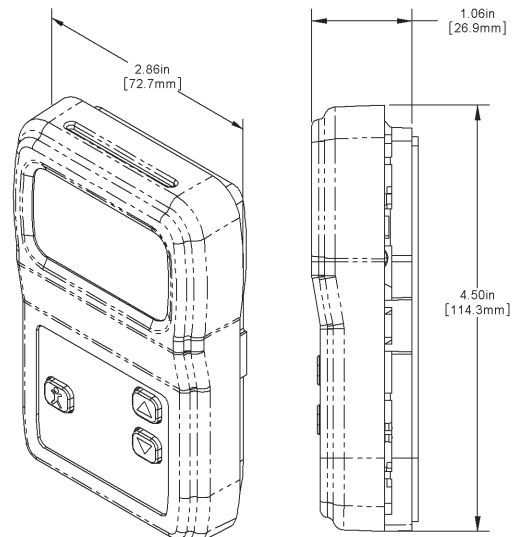
Display size 2.04"W x 1.33"H

**Mounting:** Standard 2x4" J-Box or Drywall, screws provided

**Enclosure Material:** ABS Plastic, UL94V-0

**Ambient (Enclosure):** 32 to 122°F (0 to 50°C)  
0 to 95% RH, Non-Cond.

**Agency:** RoHS



## Ordering Information/Part Numbers

### UNITS WITH °F DISPLAY

#### **ALC/BS4XC-F-2-15M00-20M00-35G81-CH3-102-CG-WMW**

BAPI-Stat 4 “X-Combo” Unit with Display, °F Indication, 10K-2 Thermistor Temp Sensor, Temp Setpoint with Display Range of 45 to 96°F and Output Range of 4.75 to 24.75 KΩ, ±2%RH Sensor with 0 to 100%RH Range and 0 to 5 Volt Output, Humidity Setpoint with 0 to 100%RH Range and 0 to 5 Volt Output, Override in Parallel with the Temperature Setpoint, Common Ground Configuration with Warm White Logo Plate

#### **ALC/BS4XC-F-2-20M00-35G81-CH3-102-CG-WMW**

BAPI-Stat 4 “X-Combo” Unit with Display, °F Indication, 10K-2 Thermistor Temp Sensor, Temp Setpoint with Display Range of 45 to 96°F and Output Range of 4.75 to 24.75 KΩ, ±2%RH Sensor with 0 to 100%RH Range and 0 to 5 Volt Output, Override in Parallel with the Temperature Setpoint, Common Ground Configuration with Warm White Logo Plate

#### **ALC/BS4XC-F-2-20M00-35G81-102-CG-WMW**

BAPI-Stat 4 “X-Combo” Unit with Display, °F Indication, 10K-2 Thermistor Temp Sensor, Temp Setpoint with Display Range of 45 to 96°F and Output Range of 4.75 to 24.75 KΩ, 2%RH Sensor with 0 to 100%RH Range and 0 to 5 Volt Output, Common Ground Configuration with Warm White Logo Plate

### UNITS WITH °C DISPLAY

#### **ALC/BS4XC-C-2-15M00-20M00-35G81-CH3-102-CG-WMW**

BAPI-Stat 4 “X-Combo” Unit with Display, °C Indication, 10K-2 Thermistor Temp Sensor, Temp Setpoint with Display Range of 7 to 35°C and Output Range of 4.75 to 24.75 KΩ, ±2%RH Sensor with 0 to 100%RH Range and 0 to 5 Volt Output, Humidity Setpoint with 0 to 100%RH Range and 0 to 5 Volt Output, Override in Parallel with the Temperature Setpoint, Common Ground Configuration with Warm White Logo Plate

#### **ALC/BS4XC-C-2-20M00-35G81-CH3-102-CG-WMW**

BAPI-Stat 4 “X-Combo” Unit with Display, °C Indication, 10K-2 Thermistor Temp Sensor, Temp Setpoint with Display Range of 7 to 35°C and Output Range of 4.75 to 24.75 KΩ, ±2%RH Sensor with 0 to 100%RH Range and 0 to 5 Volt Output, Override in Parallel with the Temperature Setpoint, Common Ground Configuration with Warm White Logo Plate

#### **ALC/BS4XC-C-2-20M00-35G81-102-CG-WMW**

BAPI-Stat 4 “X-Combo” Unit with Display, °C Indication, 10K-2 Thermistor Temp Sensor, Temp Setpoint with Display Range of 7 to 35°C and Output Range of 4.75 to 24.75 KΩ, ±2%RH Sensor with 0 to 100%RH Range and 0 to 5 Volt Output, Common Ground Configuration with Warm White Logo Plate