

Rev. 01/13/11

Features & Options

- Reduces Temperature Reading “Spikes” Caused By Opening and Closing the Cooler or Freezer Door
- 100 Foot Range, Extendable to 1,000 Feet with a Repeater*
- Buffer Chamber is 304 Stainless or Aluminum
- 8 Year Battery Life

The BAPI Wireless Thermobuffer wirelessly transmits the temperature of walk-in freezers or coolers to a receiver within 100 feet. The Thermobuffer slows the temperature reaction of a freezer door opening to prevent false alarms or short cycling the compressor.

The Thermobuffer features a watertight BAPI-Box enclosure and is designed to be mounted to the wall of the cooler or freezer saving valuable shelf space. It is available with a two-inch or four-inch stainless steel buffer chamber (optional aluminum) which is sealed with customer provided oil, or a 50/50 glycol solution to approximate the temperature reaction of the refrigerated contents in the freezer or cooler.

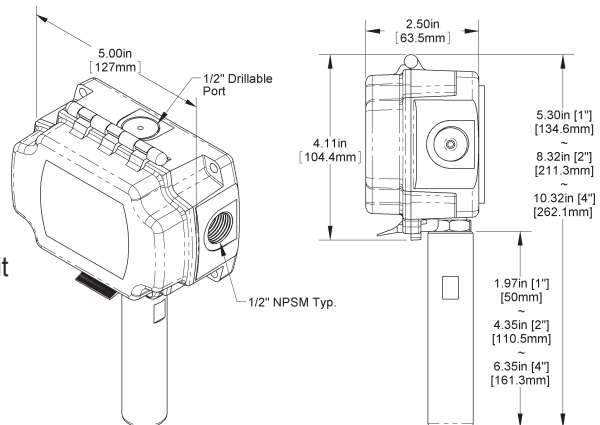
ORDERING INFORMATION

ALC/WT-TB-M304-2-BB 304 Stainless Steel Chamber, 2 inch probe, BAPI-Box Enclosure
ALC/WT-TB-M304-4-BB 304 Stainless Steel Chamber, 4 inch probe, BAPI-Box Enclosure
ALC/WT-TB-MAL-2-BB Machined Aluminum Chamber, 2 inch probe, BAPI-Box Enclosure
ALC/WT-TB-MAL-4-BB Machined Aluminum Chamber, 4 inch probe, BAPI-Box Enclosure
ALC/LI3620:..... Replacement Battery, Lithium 3.6V

Specifications

Supply Power: Two 3.6V Lithium batteries,
Battery Life: 8 years at 10 second transmit rate
Battery capacity: 2.25 AH
Sensor: Built in thermistor
Accuracy: $\pm 0.36^{\circ}\text{F}$ ($\pm 0.2^{\circ}\text{C}$)
Temp. Range: -40°F to 185°F , (-40°C to 85°C)
Radio Frequency: 418 MHz
Transmit Power: 1.5mW
Transmit Time: 20ms
Modulation: Amplitude Modulation (AM)
A/D Resolution: 12 Bit
Transmitter Interval: ~10 seconds
Antenna: Built inside the enclosure
Weight: 2 lb (0.9kg)
Error checking: CRC 16, Cyclic Redundancy Check 16 bit
Agency: FCC ID#T4F061213RSO (US)
Probe: 2 or 4 inch, $\frac{1}{4}$ " 304 Stainless Steel
Buffer chamber: 2 or 4" 304 Stainless Steel
 (Optional machined aluminum)

Environmental Operation Range:
 Temp: -22°F to 158°F (-30°C to 70°C)
 Humidity: 0% to 100% RH, Non-condensing
Enclosure Rating: NEMA 4, IP66
Encl. Material: UV-Resistant Polycarbonate
Material Rating: UL94 V-0
Warranty: 2 Years



**Thermobuffer
temperature
sensor (2"
length shown)**

Note: Unit requires food grade glycol antifreeze for proper operation.

*Actual in-building transmission distances will vary depending upon building construction and other factors.



Manufactured by Building Automation Products, Inc., 750 N. Royal Ave., Gays Mills, WI 54631 USA
 Ph:+1-608-735-4800 • Fax:+1-608-735-4804 • E-mail:sales@bapihvac.com • Web:www.bapihvac.com

Automated Logic and the Automated Logic logo are registered trademarks of Automated Logic Corporation