

Rev. 01/13/11

Features & Options

- Two Year Battery Powered with Replaceable Battery
- 0 to 5, 0 to 10 and 4 to 20mA Analog Input Models
- Digital Input (dry contact) Model
- Thermistor Temperature Input
- 100' open air range, 1,000' range with a Repeater*
- Transmission Interval from 10 to 17 seconds
- Easy Two-Wire Termination and Easy Setup Mode

The Wireless Universal Input Transmitter is designed to monitor 0 to 5VDC, 0 to 10VDC or 4 to 20mA signals and transmit that analog value to the receiver. The Digital Input version monitors any dry contact status input and transmits that On/Off status to the receiver. The Thermistor Temperature Input version takes any 10K-2 thermistor sensor and transmits it to any BAPI receiver. All models transmit their data every 10 to 17 seconds. The units are battery operated and only require wiring from the remote input sensor.



Wireless Analog or Digital Input Transmitter shown with the BAPI-Box open and closed



Ordering Information

ALC/WAI-05

0 to 5VDC Analog Input Transmitter, 418MHz

ALC/WAI-10

0 to 10VDC Analog Input Transmitter, 418MHz

ALC/WAI-420

4-20mA Analog Input Transmitter, 418MHz

ALC/WDI

Digital Input Transmitter, 418MHz

ALC/WTS

Thermistor Sensor Transmitter, 418MHz

Related Products

ALC/VOM-05-AO-EZ:

0 to 5V Output Full Scale

ALC/VOM-10-AO-EZ:

0 to 10V Output Full Scale

ALC/COM-AO-EZ:

4 to 20 mA Output Full Scale

ALC/RVOL-NO-EZ:

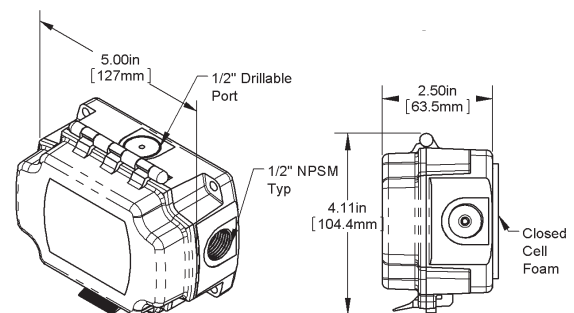
Relay Output Latching, Normally Open

Also, any ROM, VOM or COM Temperature Output Module

Specifications

- Supply Power:** 3.6 Lithium, 2-AA Batteries (included)
- Battery Life:** 2 years @ 10 sec. intervals
- Analog Input:** 2-terminals
 BA/WAI-05..... 0 to 5VDC, Imp. > 30KΩ
 BA/WAI-10..... 0 to 10VDC, Imp. > 50KΩ
 BA/WAI-420..... 4 to 20mA, Imp. = 100Ω
- Digital Input:** 2-terminals
 BAWDI..... Dry contact, >20 seconds
 Contact Status..... < 10Ω closed, >250Ω open
- Thermistor Input:** 2-terminals
 BAWTS..... Any 10K-2 Thermistor
 Temp. Range Max -40 to 185°F (-40 to 85°C)
- Mounting:** Four corner tabs
- Radio Frequency:** 418 MHz @ 1mW
- Transmitter Interval:** ~10 to 17 sec.
- Antenna:** Built into case
- Transmission Range:** Up to 100 feet direct
 (Up to 1,000 feet with a repeater)

- Enclosure:**..... NEMA-4 w/ cover screw
- Environmental Operating Range:**
 Temperature .. 32°F to 140°F (0°C to 60°C)
 Humidity 5 to 95% RH, Non-condensing
- Case Material:** .. ABS Plastic, UL94V-0
- FCC ID:** T4F061213RSO



*Actual in-building transmission distances will vary depending upon building construction and other factors.