

Temp. & Humidity Transmitter

Wireless Temp.
and/or Humidity

G3

Rev. 01/13/11

Features & Options

- 8 Year Battery Life (with two 3.6 volt lithium batteries, full AA size)
- Optional Temperature Setpoint and Occupant Override
- 100 ft range, extendable to 1,000 feet with Repeater*
- Transmitted signals can be converted to Voltage, Current or Resistive Outputs for the Controller

The Wireless Transmitter measures the room temperature and Humidity and transmits the data through 418MHz RF to a receiver. The transmitter is mounted in a BAPI-Stat 2 style enclosure and has a minimum in-building range of 100 feet. It is available with optional Temperature Setpoint and Occupant Override.

The unit has an estimated battery life of 8 years using two high-capacity 3.6V lithium batteries with a transmit rate of once every 10 seconds. Each transmitter has a unique address with built in error detection. Each variable sent by the transmitter is picked up by the receiver and converted by an Analog Output Module to a voltage, current or resistance signal for the controller.



Transmitter with optional Temperature Setpoint & Override

ORDERING INFORMATION

- PART #: ALC/BS2-WTH** Wireless Temp. and Humidity Transmitter
PART #: ALC/BS2-WTH-O Wireless Temp. and Humidity Transmitter with Override
PART #: ALC/BS2-WTH-S Wireless Temp. & Humidity Transmitter with Temp. Setpoint Adjustment
PART #: ALC/BS2-WTH-SO... Wireless Temp & Humidity Transmitter w/ Temp. Setpoint & Override
PART #: ALC/LI3620 Lithium Battery 3.6V

Associated Products

- **418 or 900 MHz Receivers** — Receives the RF signal from the transmitters or repeaters and outputs the values to up to 127 Analog Output Modules.
- **Wireless Point Manager** – Receives the RF signal from up to 100 wireless transmitters and converts the data to ethernet (TCP/IP) or serial protocol for the network.
- **Repeater** – Extends the range of the Transmitter up to 1,000 feet.

Wireless Point Manager



Specifications for the Wireless Temperature & Humidity Transmitters

Supply Power: Two 3.6V Lithium batteries, 8 year battery life at 10 second transmit rate

Sensing Elements:

Temp. - Semiconductor Band Gap, Proportional to Absolute Temperature, $\pm 0.54^{\circ}\text{F}$ ($\pm 0.3^{\circ}\text{C}$)

Humidity - Capacitive Polymer, $\pm 2\%$ RH Accuracy

Transmitted Range: -40°F to 185°F (-40°C to 85°C)
0 to 100% RH

Environmental Operation Range:

Temp: 32°F to 140°F (0°C to 60°C)

Humidity: 5% to 95% RH non-condensing

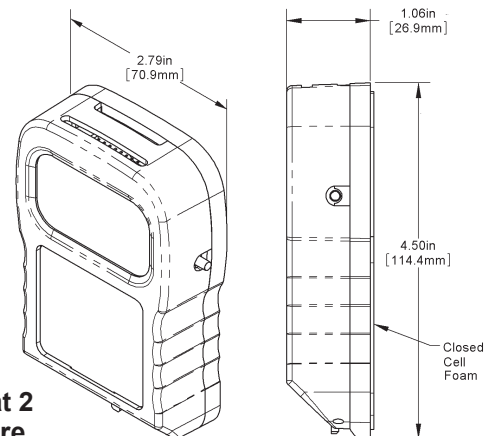
Material & Rating: ABS Plastic, UL94 V-0

Radio Frequency: 418 MHz

Transmitter Interval: ~10 seconds

Antenna: Built inside the enclosure

FCC Approval: FCC ID# T4F061213RSO



BAPI-Stat 2 Enclosure

*Actual in-building transmission distances will vary depending upon building construction and other factors.



Manufactured by Building Automation Products, Inc., 750 N. Royal Ave., Gays Mills, WI 54631 USA
Ph:+1-608-735-4800 • Fax:+1-608-735-4804 • E-mail:sales@bapihvac.com • Web:www.bapihvac.com

Automated Logic and the Automated Logic logo are registered trademarks of Automated Logic Corporation