

Rev. 01/13/11

Features & Options

- Extends Transmitter Range to 1,000 Feet

The BAPI Repeater receives the 418 MHz RF signal from one or more wireless temperature or humidity transmitters which have a range of 100 feet. The Repeater re-transmits the signal at 900 MHz to a distance of 1,000 feet to a BAPI 900 MHz Receiver.

The 900 MHz Receiver then outputs the values to any Analog Output Module through a four-wire bus. The Analog Output Module converts the signal to an analog voltage, current or resistance for the controller. The 900 MHz Receiver can accommodate up to 127 different Analog Output Modules. The Repeater is surface, snaptrack or din rail mountable with an attached 900 MHz antenna and a 79" 418 MHz extendable antenna.



418 MHz to 900
MHz Repeater

ORDERING INFORMATION

ALC/RPT49-EZ 418 to 900 MHz Repeater

Associated Products

• Wireless Temperature or Temp./Humidity Transmitter

Measures the room temperature and/or humidity and transmits the data through 418MHz RF to a receiver. The 1 mW transmitter is mounted in a BAPI-Stat 2 style enclosure and has an open-air range of 100 feet.

• Wireless Point Manager

Receives the RF signal from up to 100 wireless transmitters and converts the data to ethernet (TCP/IP) or serial protocol for the network.



Wireless
Point
Manager

Specifications for the Wireless Repeater

Supply Power: 9 to 15 VDC

Power Consumption: 150 mA max. DC

Inputs: 418MHz

Output: 900MHz at 100mW

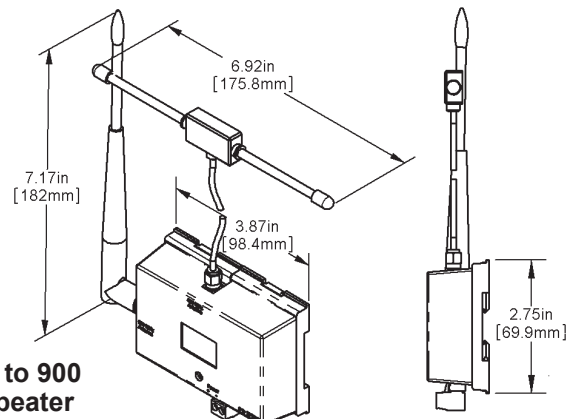
Environmental Operation Range:

Temp: 32°F to 140°F (0°C to 60°C)

Humidity: 5% to 95% RH non-condensing

Material: ABS Plastic

Material Rating: UL94, V-0



418 MHz to 900
MHz Repeater