

Rev. 01/06/11

Features & Options

- Receiver for all BAPI Wireless Transmitters
- Models for 418MHz and 900MHz
- Models with Ethernet or USB Connections
- TCP/IP Ethernet Communication
- DHCP or Static IP Addressing
- ASCII Data Output for Easy BAS System Interface
- BAPI SQLite Data Base Software Available
- 79" Dipole Antenna Included

The Wireless Receiver listens to all BAPI wireless transmitters and sends the ASCII data payload via Ethernet (TCP/IP) or USB to a customer-provided computer or BAS system.

The ASCII data can be directly interpreted by any BAS control computer and is well documented for custom interface programming. BAPI can provide our Data Manager Software (ALC/WRS) to interpret the serial data for easier interface to BAPI's SQLite data base.

The receiver packages come with all the software required to configure the receiver and is fully documented to interpret the ASCII payload. The receivers come in two standard configurations to receive transmitters at 418MHZ or repeated signals at 900MHZ.

**Ordering Information****PART NUMBERS:**

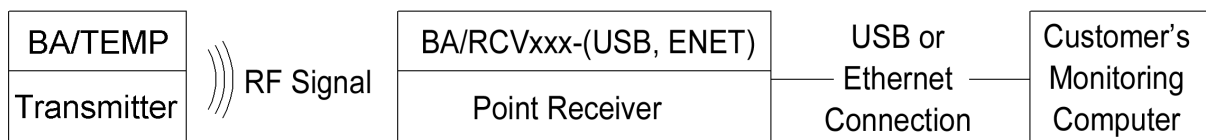
ALC/RCV418-ENET .. Wireless 418MHz Receiver w/ Ethernet output

ALC/RCV900-ENET .. Wireless 900MHz Receiver w/ Ethernet output

ALC/RCV418-USB Wireless 418MHz Receiver w/ USB output

ALC/RCV900-USB Wireless 900MHz Receiver w/USB output

Replacement Antennas pg. G28

Wireless System Block Diagrams

The USB or Ethernet units receive the wireless signals from any BAPI transmitter and send the payload, using a standard USB or Ethernet connection, to any computer within the network using well documented ASCII protocol. (Note: Customer must write interface code for their computer system.)



Manufactured by Building Automation Products, Inc., 750 N. Royal Ave., Gays Mills, WI 54631 USA
Ph:+1-608-735-4800 • Fax:+1-608-735-4804 • E-mail:sales@bapihvac.com • Web:www.bapihvac.com

Automated Logic and the Automated Logic logo are registered trademarks of Automated Logic Corporation

Rev. 01/06/11

Specifications

Voltage:.....5VDC \pm 0.3V, from plug in transformer on Ethernet Unit
6 to 24VDC \pm 0.3V, from USB Comm. jack

Power:.....500mA Ethernet Unit
70mA on USB Unit

Wiring Ethernet:.....1- RJ45 jack & cross over cable
1- Female Power jack w/plug in transformer
1- Antenna hard wired
3 pin terminal (not used)

Wiring USB:.....1 - USB type B female jack
1 - 2 meter USB cable, type B to type A
1 - Female power jack
1 - Antenna screw connector
4 pin terminal, not used (only on RCV418 model)

Transformer:120VAC Plug, 5VDC 500mA
(included on Ethernet unit, optional on USB unit)

Indication:Red Power LED, blinks during reception
Green LEDs blink with Ethernet is active

Antenna:
RCV418.....6.5" Dipole w/79" cable
RCV900.....Built in (Ethernet unit)
3.78" Dipole w/79" cable
(USB unit)

Receiver Sensitivity:
RCV418.....418MHz @ -112db
RCV900.....900MHz @ -110db

Typical Reception:
RCV418.....100ft, Line of sight
RCV900.....1000ft, Line of sight

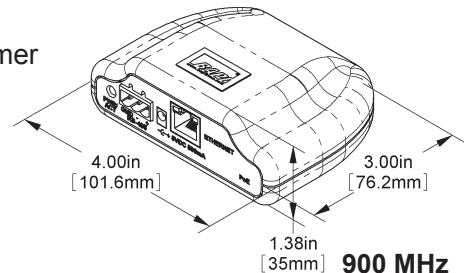
Communication:
USB.....Serial
Ethernet.....10/100 Base T
LAN Protocol.....TCP/IP or UDP
IP AddressingDHCP or Fixed IP
Data Packet.....ASCII command/response

Ambient:
Temperature32 to 158°F (0 to 70°C)
Humidity:.....10% to 90%RH, Non-condensing

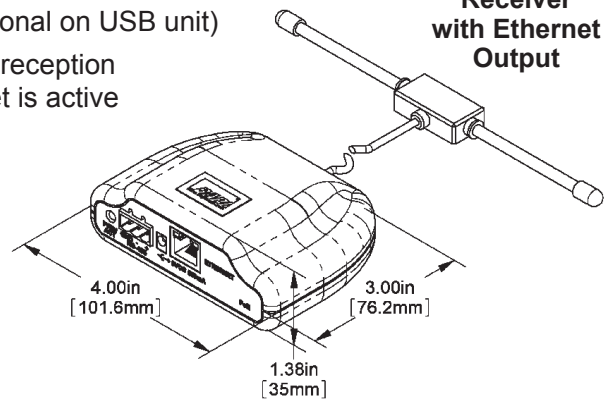
Material:.....ABS Plastic
Plastic Rating:.....UL94V-5VA
RCV900-USB - not rated

Agency:Part 15 of the FCC rules

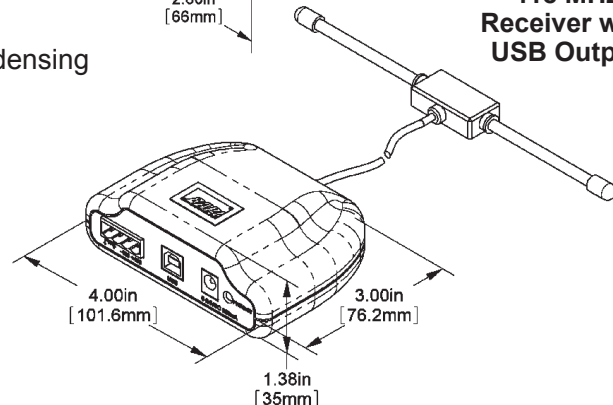
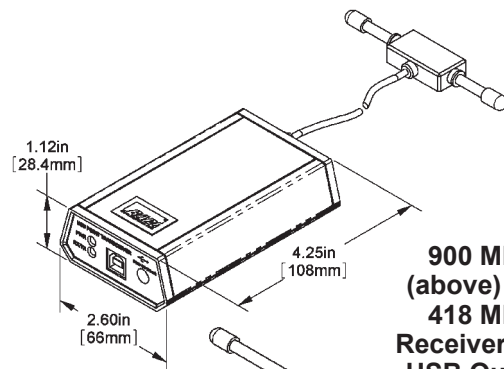
Mounting:Desk or shelf mounted



**900 MHz
(above)
and 418 MHz
Receiver
with Ethernet
Output**



**900 MHz
(above)
and 418 MHz
Receiver with
USB Output**



Manufactured by Building Automation Products, Inc., 750 N. Royal Ave., Gays Mills, WI 54631 USA
Ph:+1-608-735-4800 • Fax:+1-608-735-4804 • E-mail:sales@bapivac.com • Web:www.bapivac.com

Automated Logic and the Automated Logic logo are registered trademarks of Automated Logic Corporation