

Rev. 03/10/15

Features & Options

- 8 Year Battery Life (with two 3.6 volt lithium batteries, full AA size)
- 100 foot range, extendable to 1,000 feet with Repeater*
- Transmitted signals can be converted to Voltage, Current or Resistive Outputs for the Controller
- Watertight BAPI-Box Enclosure
- Quick Response Sensor
- Light-Colored Sensor Guard
- Etched Teflon Leadwires
- 2 Year Warranty



**Wireless Outside
Air Temperature
Transmitter**

The Wireless Outside Air Temperature Transmitters Outside Air Units are designed to be mounted outdoors. The UV-resistant plastic shield keeps the sensor out of the sunlight and allows for excellent air circulation. The Outside Air Units come with a watertight BAPI-Box enclosure which is made of UV-resistant polycarbonate and carries an IP66 rating.

The Wireless Outside Air Temperature Transmitter measures the temperature and transmits the data through 418MHz RF to a receiver. It has a minimum range of 100 feet and an estimated battery life of 8 years using two high-capacity 3.6V lithium batteries with a transmit rate of about once every 10 seconds. Each transmitter has a unique address with built in error detection. Each variable sent by the transmitter is picked up by the receiver and converted by an Analog Output Module to a voltage, current or resistance signal which is sent to the controller.

ORDERING INFORMATION

ALC/WT-O-BB Wireless Outside Air Temperature Transmitter

ALC/LI3620 Lithium Battery 3.6V

Specifications

Supply Power: Two 3.6V Lithium batteries, 8 year battery life at 10 second transmit rate

Inputs: Built in thermistor

Accuracy: $\pm 0.36^{\circ}\text{F}$ ($\pm 0.2^{\circ}\text{C}$)

Transmitted Range: -40°F to 185°F (-40°C to 85°C)

Enclosure Rating: IP66

Enclosure Material:

UV-Resistant Polycarbonate

Material Rating: UL94 V-0

Environmental Operation Range:

Temp: -40°F to 185°F (-40°C to 85°C)

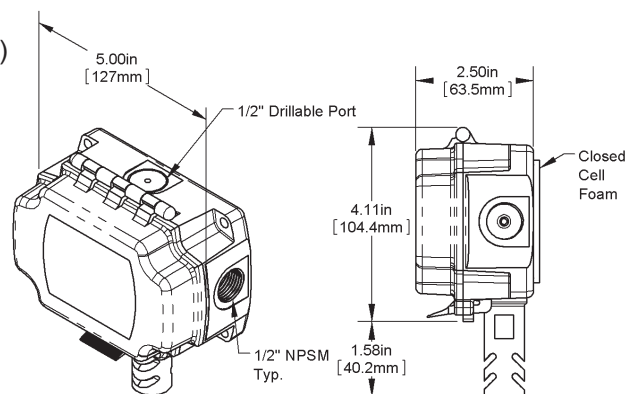
Humidity: 0 to 100% RH

Radio Frequency: 418 MHz

Transmitter Interval: ~10 seconds

Antenna: Built inside the enclosure

FCC Approval: FCC ID# T4F060811TEMP



**Wireless Outside Air Temperature unit
in a BAPI-Box (BB) Enclosure**

*Actual in-building transmission distances will vary depending upon building construction and other factors.



Manufactured by Building Automation Products, Inc., 750 N. Royal Ave., Gays Mills, WI 54631 USA
Ph:+1-608-735-4800 • Fax:+1-608-735-4804 • E-mail:sales@bapihvac.com • Web:www.bapihvac.com

Automated Logic and the Automated Logic logo are registered trademarks of Automated Logic Corporation