

Rev. 08/15/12

Features & Options

- Low Profile Stainless Steel Wall Plate
- Etched Teflon Leadwires and Plate-Sized Foam Insulator
- Standard, Durable and Water-Resistant Low-Profile (with and without LED) Override Buttons

All Stainless Steel Wall Plates feature ¼" closed cell, medical-grade foam backing which covers the plate and insulates it from wall temperature. All units also feature etched Teflon leadwires and double encapsulated sensors to create a watertight package that can perform under real world conditions.

A momentary Override is available in three styles of Pushbutton — Standard (-O), Durable (-O1) & water-resistant Low Profile (-O2) with a red or green LED indicator.

Ordering Information/Part Numbers

- ALC/10K-2-SP Plain Wall Plate
- ALC/10K-2-SP-O Wall Plate with Standard Override
- ALC/10K-2-SP-O1 Wall Plate with Durable Override
- ALC/10K-2-SP-O2 Wall Plate with Low Profile Override
- ALC/10K-2-SP-O2G5... Wall Plate with Low Profile Override and Green LED
- ALC/10K-2-SP-O2R5.. Wall Plate with Low Profile Override with Red LED



Low Profile Override with LED Indicator (Available with Red or Green LED)

Specifications

10K-2 Thermistor Sensor Specifications

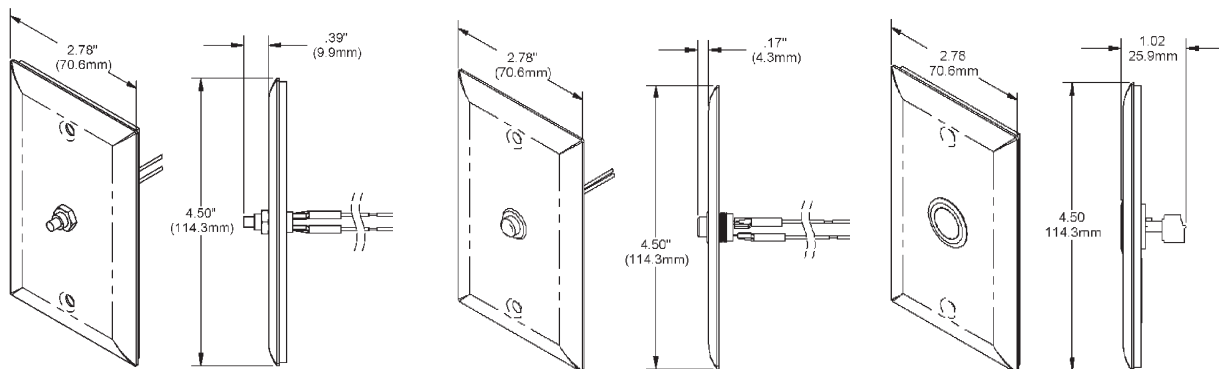
Resistance: 10 kΩ @ 25°C, -55°C to 150°C range
Standard Accuracy: 0.2°C (±0.36°F) at 0 to 70°C
Dissipation Constant: 2.7 mW/°C
Stability(drift): Less than ±0.1°C (0.18°F) drift over 10 years.

Environmental Operation Range:

Temperature: -40 °C to 100 °C
 Humidity: 0 to 95%, non-condensing

Plate Material: Stainless Steel

Enclosure Material Rating: UL 94, V-0



Standard Override

Durable Override

Low Profile Override