

Rev. 07/13/10

### Features & Options

- Three Lengths: 2", 4" and 8"
- (Fit standard Immersion Unit lengths)
- Stainless Steel (304 or 316) or Brass
- Two Part (Welded) or Machined Construction
- Other Lengths Available Upon Request
- Limited Lifetime Warranty



**Machined Thermowell**



**Two Part (welded) Thermowell\***

Standard Thermowells include 304 stainless steel (machined), 316 stainless steel (machined), brass (machined), and two part\* (welded) stainless steel. These wells are offered in 2", 4" and 8" lengths with 1/2" NPT external and 1/2" NPSM. Other lengths and thread diameters are available upon request.

The Thermowell chosen for the installation is governed mainly by the corrosion conditions the well will face. The machined stainless steel wells all come with a mirror polish to provide maximum corrosion resistance. Occasionally, the material consideration is one of strength rather than corrosion. For example, a machined stainless steel well may be required for high pressure water service where otherwise a brass or two part stainless steel well would be satisfactory from a corrosion standpoint.

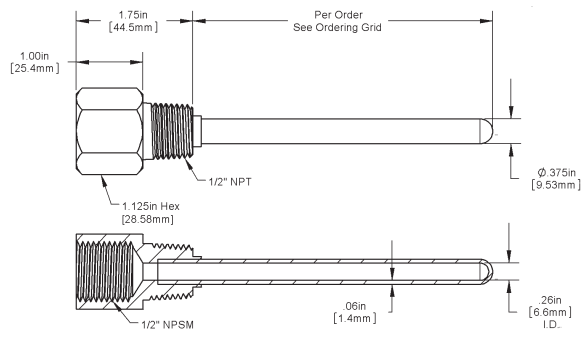
\*The two part welded stainless steel thermowells are not intended for service in moving water. They may be used in catch basins, sumps or large storage tanks with small inlet and outlet pipes. Do not mount the two part welded stainless steel thermowells close to the inlet or outlet pipe of the tank.

### Ordering Information/Part Numbers

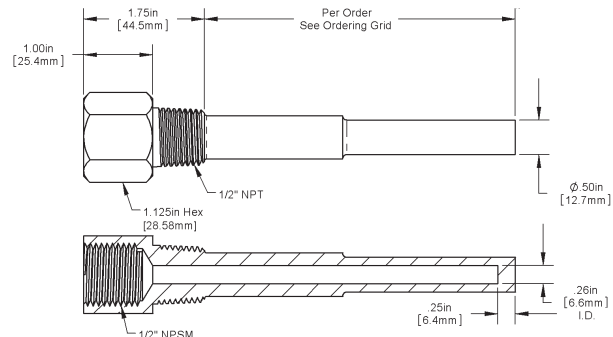
- ALC/2"** - Two Part (Welded) Stainless Steel - 2"
- ALC/4"** - Two Part (Welded) Stainless Steel - 4"
- ALC/8"** - Two Part (Welded) Stainless Steel - 8"
- ALC/2" M304** - Machined 304 Stainless Steel - 2"
- ALC/4" M304** - Machined 304 Stainless Steel - 4"
- ALC/8" M304** - Machined 304 Stainless Steel - 8"

- ALC/2" M316** - Machined 316 Stainless Steel - 2"
- ALC/4" M316** - Machined 316 Stainless Steel - 4"
- ALC/8" M316** - Machined 316 Stainless Steel - 8"
- ALC/2" MB** - Machined Brass - 2"
- ALC/4" MB** - Machined Brass - 4"
- ALC/8" MB** - Machined Brass - 8"

### Specifications



**Two Part (Welded) Thermowell**



**Machined Thermowell**