

Rev. 03/21/13

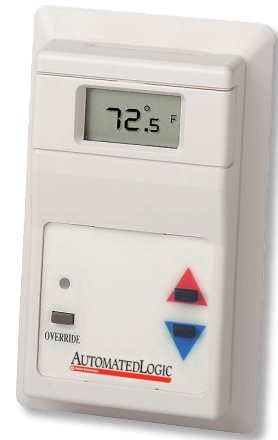
Features & Options

- Robust Tactile Pushbuttons
- Digital Display and Setpoint Adjustment
- Occupancy Override Button with LED
- Precision 10K-2 Thermistor
- Two Year Warranty

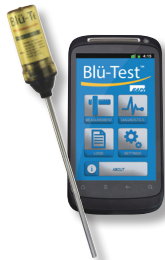
The R μ P room sensor provides local indication of Temperature and Setpoint with Setpoint Adjustment and Occupant Override.

The Setpoint is displayed for a short time after an adjustment and can be programmed to display as an offset (i.e. -2 to 2) or as a value within a specified temperature range (i.e. 65 to 80 °F).

The Occupant Override is a momentary signal that is configured in parallel with the Setpoint.



R μ P Unit with °F Indication

Associated Products**Blü-Test Bluetooth Wireless Temp & Humidity Testing Probe**

Commissioning just got easier with the Blü-Test. There's no need to carry an extra meter because the probe communicates directly to your Bluetooth-enabled Smart Phone or Tablet. The free App even lets you log the data.

See the Wireless section.

VC350A "EZ" - Voltage Converter

BAPI recommends DC power on room units for a more stable reading. Our 350mA "EZ" unit is a perfect way to convert 24 VAC to 5, 12, 15 or 24 VDC.



See the Accessories section.

Specifications

Power: 7 to 35 VDC (15 to 24 VDC recommended)
12 to 30 VAC (requires a separate pair of shielded wires)

Power Consumption: 10 mA max. DC, .2 VA maximum AC

Wiring: 2 to 4 pair of 16 to 22AWG*

Environmental Operation Range:

Temperature: 0 to 50 °C (32 to 122 °F)

Humidity: 0 to 95%, non-condensing

Enclosure Material & Rating: ABS Plastic, UL94 HB

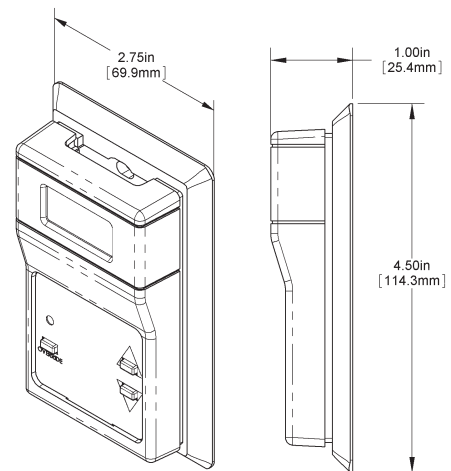
10K-2 Thermistor Sensor Specifications

Resistance: 10 k Ω @ 25°C, -55°C to 150°C range

Standard Accuracy: 0.2°C (\pm 0.36°F) at 0 to 70°C

Dissipation Constant: 2.7 mW/°C

Stability(drift): Less than \pm 0.1°C (0.18°F) drift over 10 years.



*BAPI recommends that you do not run wiring for the Room Units in the same conduit as line voltage wiring or with wiring used to supply highly inductive loads such as motors, generators, and coils. Also, the R μ P is not designed for line voltage applications. The circuits are intended to be connected to analog inputs (AI's) set in the "resistive" mode.



Manufactured by Building Automation Products, Inc., 750 N. Royal Ave., Gays Mills, WI 54631 USA
Ph:+1-608-735-4800 • Fax:+1-608-735-4804 • E-mail:sales@bapihvac.com • Web:www.bapihvac.com

Automated Logic and the Automated Logic logo are registered trademarks of Automated Logic Corporation

Ordering Information/Part Numbers

ALC/RUPF-A81-P-24-102-NL-CG

RμP Room Unit with °F Indication and Setpoint Display Range of -3 to +3

ALC/RUPF-B81-P-24-102-NL-CG

RμP Room Unit with °F Indication and Setpoint Display Range of -5 to +5

ALC/RUPF-C81-P-24-102-NL-CG

RμP Room Unit with °F Indication and Setpoint Display Range of 50 to 90 °F

ALC/RUPF-D81-P-24-102-NL-CG

RμP Room Unit with °F Indication and Setpoint Display Range of 55 to 85 °F

ALC/RUPF-E81-P-24-102-NL-CG

RμP Room Unit with °F Indication and Setpoint Display Range of 60 to 80 °F

ALC/RUPF-F81-P-24-102-NL-CG

RμP Room Unit with °F Indication and Setpoint Display Range of 65 to 80 °F

ALC/RUPC-A81-P-24-102-NL-CG

RμP Room Unit with °C Indication and Setpoint Display Range of -3 to +3

ALC/RUPC-B81-P-24-102-NL-CG

RμP Room Unit with °C Indication and Setpoint Display Range of -5 to +5

ALC/RUPC-C81-P-24-102-NL-CG

RμP Room Unit with °C Indication and Setpoint Display Range of 10 to 32 °C

ALC/RUPC-D81-P-24-102-NL-CG

RμP Room Unit with °C Indication and Setpoint Display Range of 13 to 30 °C

ALC/RUPC-E81-P-24-102-NL-CG

RμP Room Unit with °C Indication and Setpoint Display Range of 15 to 27 °C

ALC/RUPC-F81-P-24-102-NL-CG

RμP Room Unit with °C Indication and Setpoint Display Range of 18 to 27 °C

All units above have display, setpoint adjustment and occupant override. All units have the override in parallel with the setpoint, a setpoint output range of 4.75k to 24.75k Ohms, require 7 to 35 VDC or 12 to 30 VAC power, have a 10K-2 Thermistor direct sensor, no setpoint lockout and common ground configuration.

