

Rev. 08/15/12

### Features & Options

- Watertight BAPI-Box or BAPI-Box 2 Enclosure
- Etched Teflon Leadwires
- Well-Vented, Light-Colored Sensor Guard

Outside Air Units are designed to be mounted outdoors. The 5¼" UV-resistant plastic shield keeps the sensor out of the sunlight and allows for excellent air circulation. The Outside Air Unit is available in a watertight BAPI-Box (**BB**) or BAPI-Box 2 (**BB2**) Enclosure.

All Outside Air Units have etched Teflon leadwires and can withstand high humidity and condensation and perform under real world conditions. This is especially important in an outside air application which can be exposed to rain, snow and large temperature swings.



BAPI-Box

BAPI-Box 2

### Ordering Information/Part Numbers

**ALC/10K-2-O-BB** ..... Outside Air Sensor with 10K-2 Thermistor and a BAPI-Box Enclosure

**ALC/10K-2-O-BB2** ... Outside Air Sensor with 10K-2 Thermistor and a BAPI-Box 2 Enclosure

### Specifications

#### Enclosure Material:

UV-resistant polycarbonate, UL94, V-0

#### Enclosure Rating: IP66

#### Environmental Operation Range:

Temperature: -40 °C to 85 °C

Humidity: 0 to 100%, non-condensing

#### 10K-2 Thermistor Sensor Specifications

##### Resistance:

10 kΩ @ 25°C, -55°C to 150°C range

##### Standard Accuracy:

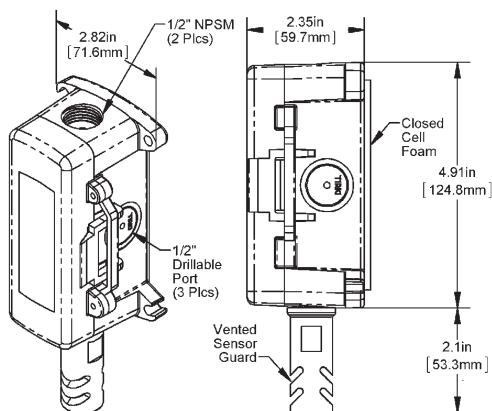
0.2°C (±0.36°F) at 0 to 70°C

##### Dissipation Constant:

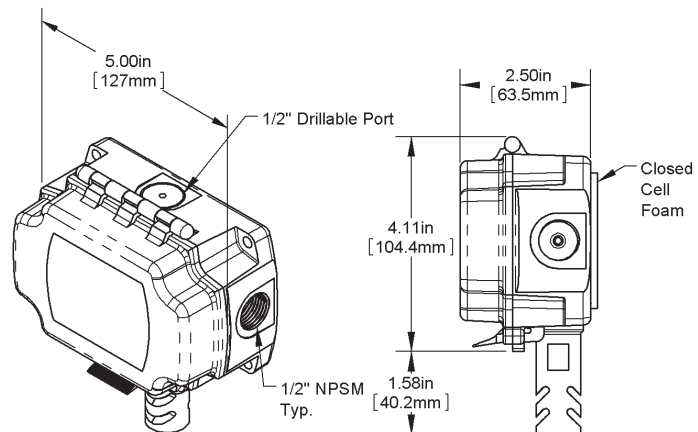
2.7 mW/°C

##### Stability(drift):

Less than ±0.1°C (0.18°F) drift over 10 years.



BAPI-Box 2 (BB2)



BAPI-Box (BB)