

Rev. 07/13/10

### Overview

BAPI offers two styles of Line Voltage Transformer Module (LVTM) to simplify connecting an external transformer to the VC2700-STM Voltage Converter. The LVTM can sit side-by-side with the VC2700-STM in an 8" long piece of industry standard 2.75" snaptrack (TRK08).

The LVTM takes 120/240 VAC power and protects the input with a 3.15 amp resettable circuit breaker. Pluggable terminals provide a convenient way to terminate the primary and secondary windings of the transformer. Connectors on the end of the LVTM plug directly into the VC2700's inputs for a clean connection without interconnecting wires.

### Ordering Information

**ALC/LVTM**..... Line Voltage Transf. Module with power cord connector  
**ALC/LVTM-TB**.. Line Voltage Transf. Module with Terminal Block

**ALC/PWR-CORD-18"** .. 18" Power Cord  
**ALC/PWR-CORD-36"** .. 36" Power Cord

### LVTM Specifications

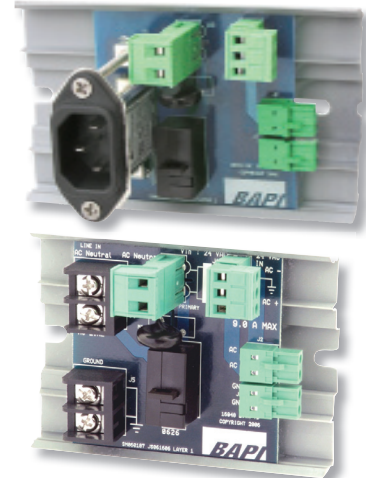
**Input:** 120/240 VAC at 3.15 Amps Max.  
**24 VAC input:** 9 Amps Max.

### Power Cord Specifications

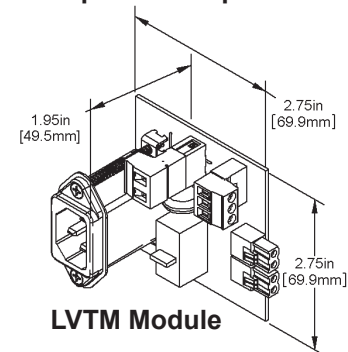
**Input:** 125 VAC at 10 Amps Max.  
**Wire:** 3 Wire, 18 AWG  
**Ratings:** NEMA 5-15P, UL817, CSA22.2



**18" Power Cord**  
shown above



**LVTM (top) and LVTM-TB** in optional snaptrack



**LVTM Module**

# TB4 & TB4-VC100

### Overview

Power supplies and voltage converters in large HVAC/R systems sometimes do not have enough output terminals. Also some systems need a small amount of power at a 2<sup>nd</sup> voltage. BAPI'S TB4 and TB4-VC100 are accessories for the VC2700 that answer these problems.

The TB4 plugs directly into the VC2700 and provides four sets of depluggable terminals for the VC2700's output voltage. These additional outputs can be used to power BP8, BP4 and BP2 ETA backplanes.

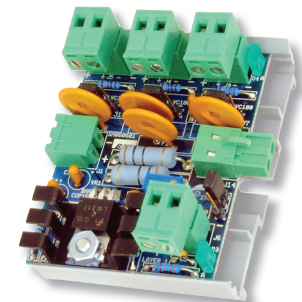
The TB4-VC100 plugs directly into the VC2700 and adds a 100 mA adjustable voltage converter for a second system voltage of 5-20 VDC. Additional TB4-VC100's may be plugged in for 3<sup>rd</sup> and 4<sup>th</sup> system voltages. The adjustable voltage must be 6 VDC or more below the VC2700 voltage.

### Ordering Information

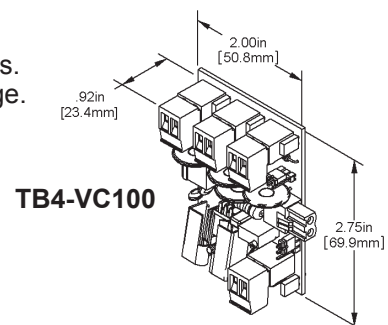
**ALC/TB4** ..... Four Terminal Output Board  
**ALC/TB4-VC100** .. TB4 w/ adjustable 100 mA Voltage Converter

### Specifications

**Input:** BA/VC2700  
**Output:** 3-26 VDC Adjustable (from the VC2700), 2.7 Amps DC Max (all terminals combined)  
**VC100 section:** 5-20 VDC adjustable, 100 mA Max.



**TB4-VC100 Module**



**TB4-VC100**