

# LSBASE2 / LSPLUS2

## Room Temperature Sensors

Manufactured by BAPI exclusively for Automated Logic Corporation



**LSBASE2**



**LSPLUS2**

BAPI's line of sensors includes the LSBASE2 and LSPLUS2 and are designed for use with Automated Logic's S, U, ZN and SE line controllers. Both sensors provide precision temperature measurement in an attractive low profile enclosure.

In addition, the LSPLUS2 offers a local setpoint adjustment, override to an occupied mode and LED indication of current status—all within boundaries established by the Building Automation System (BAS) operator. When the override button is pressed during an unoccupied mode, the zone reverts to an occupied setpoint for a predetermined period of time. Local setpoint override enables an occupant to increase or decrease the zone setpoint by a preset amount. If the sliding setpoint adjustment is positioned in the center, the setpoint override is defeated.

### Key Features and Benefits

- Attractive, low profile enclosure in a neutral color complements any room.
- Precise 10K ohm thermistor with  $\pm 0.36^{\circ}\text{F}$  ( $0.2^{\circ}\text{C}$ ) standard accuracy and less than  $0.18^{\circ}\text{F}$  ( $0.1^{\circ}\text{C}$ ) drift over a ten year span – requires no maintenance or recalibration.
- LSPLUS2 features a convenient local setpoint adjustment through an easy-to-use slide potentiometer.
- Occupancy override is simple using the momentary pushbutton on the LSPLUS2 with a bright LED for immediate indication of status.
- LSBASE2 and LSPLUS2 sensors can be interchanged without calibration.
- Mounts on a standard 2" by 4" electrical box for easy installation.

Manufactured exclusively for

**AUTOMATEDLOGIC**  
CORPORATION

1150 Roberts Boulevard  
Kennesaw, Georgia 30144

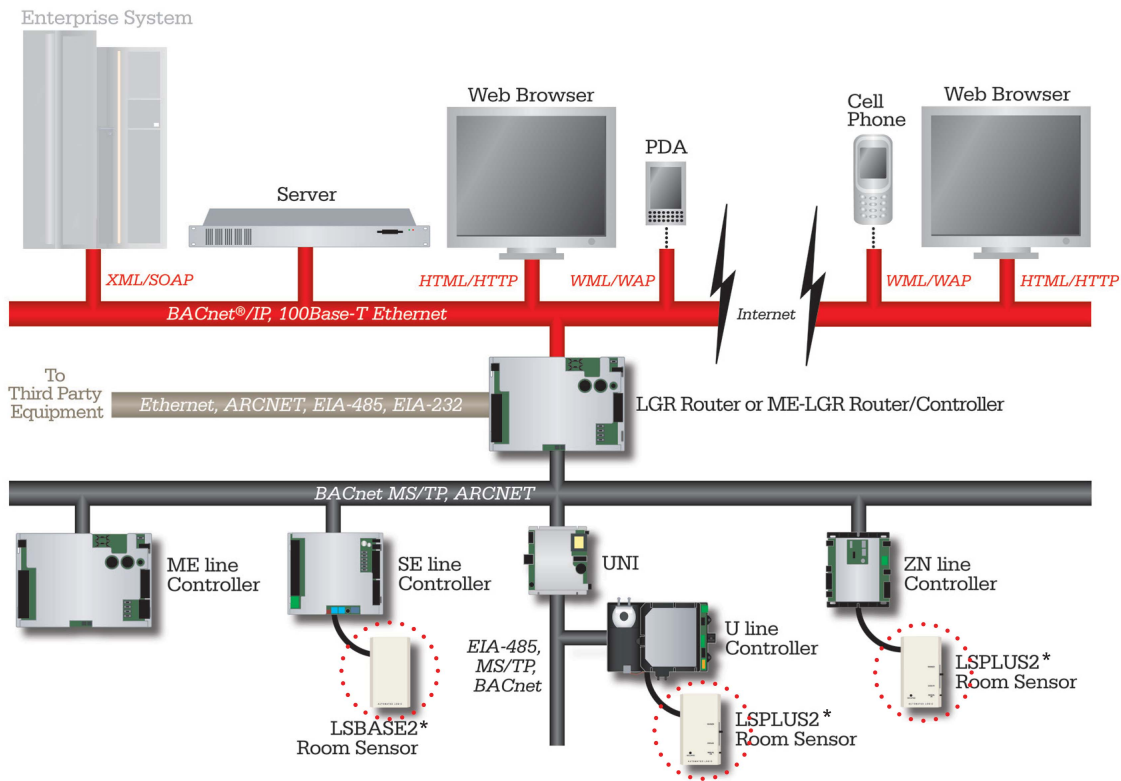
**BAPI** Building  
Automation  
Products, Inc.

Manufactured by BAPI  
For Sales, Tech Support or Ordering  
Information, Contact BAPI at  
608/735-4800 • Fax: 608/735-4804  
[www.bapivac.com](http://www.bapivac.com)

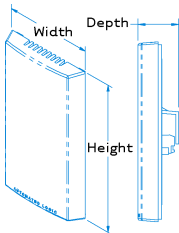
# LSBASE2 / LSPLUS2

## Specifications

Manufactured by BAPI exclusively for Automated Logic Corporation



Power:	S, U, ZN, or SE Controllers.
Temperature Sensor:	Precision 10K-2 Thermistor. Standard accuracy $\pm 0.36^{\circ}\text{F}$ ( $0.2^{\circ}\text{C}$ ). Less than $\pm 0.18^{\circ}\text{F}$ ( $0.1^{\circ}\text{C}$ ) drift over a 10 year period.
Wiring:	Four connector shielded or unshielded cable - 18 to 24 AWG recommended. Connects to LS2 connectors on ZN or SE controller and uses two of the controller's available Universal Inputs.
Communications:	LS2 sensors do not support pass-through communications to the building automation system. Use RS sensors if this feature is required.
Mounting:	Standard 2" by 4" electrical box using 6-32 by 1/2" mounting screws provided.
Overall Dimensions:	2.75" (width) by 4.75" (height) by 1.08" (depth) 69.9mm (width) by 120.7mm (height) by 27.4mm (depth)



\* LSBATCH2 and LSPLUS2 are not available with Communications Port