

# LSBASE2H / LSPLUS2H

## Room Temperature with Humidity Sensors

Manufactured by BAPI exclusively for Automated Logic Corporation



**LSBASE2H**



**LSPLUS2H**

BAPI's line of sensors includes the LSBASE2H and LSPLUS2H and are designed for use with Automated Logic's S, U, ZN and SE line controllers. Both sensors provide precision temperature and humidity measurement in an attractive low profile enclosure.

In addition, the LSPLUS2H offers a local setpoint adjustment, override to an occupied mode and LED indication of current status—all within boundaries established by the Building Automation System (BAS) operator. When the override button is pressed during an unoccupied mode, the zone reverts to an occupied setpoint for a predetermined period of time. Local setpoint override enables an occupant to increase or decrease the zone setpoint by a preset amount. If the sliding setpoint adjustment is positioned in the center, the setpoint override is defeated.

### Key Features and Benefits

- Attractive, low profile enclosure in a neutral color complements any room.
- Precise 10K ohm thermistor with  $\pm 0.36^{\circ}\text{F}$  ( $0.2^{\circ}\text{C}$ ) standard accuracy and less than  $0.18^{\circ}\text{F}$  ( $0.1^{\circ}\text{C}$ ) drift over a ten year span – requires no maintenance or recalibration.
- $\pm 2\%$  RH accuracy humidity sensor – 0 to 5 VDC output from 0 to 100% RH.
- LSPLUS2H features a convenient local setpoint adjustment through an easy-to-use slide potentiometer.
- Occupancy override is simple using the momentary pushbutton on the LSPLUS2 with a bright LED for immediate indication of status.
- Mounts on a standard 2" by 4" electrical box for easy installation.

Manufactured exclusively for

**AUTOMATED LOGIC**  
CORPORATION

1150 Roberts Boulevard  
Kennesaw, Georgia 30144

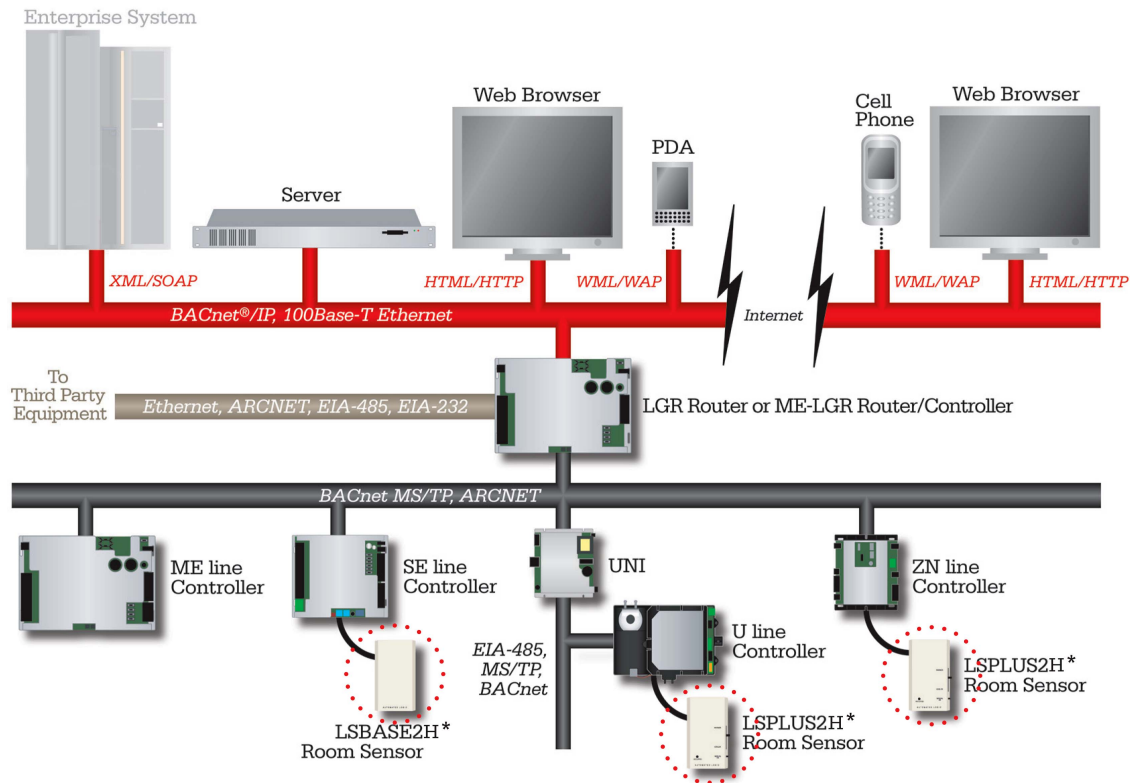
**BAPI** Building  
Automation  
Products, Inc.

Manufactured by BAPI  
For Sales, Tech Support or Ordering  
Information, Contact BAPI at  
608/735-4800 • Fax: 608/735-4804  
[www.bapivac.com](http://www.bapivac.com)

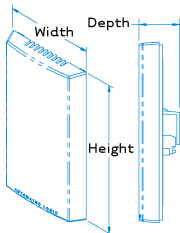
# LSBASE2H / LSPLUS2H

## Specifications

Manufactured by BAPI exclusively for Automated Logic Corporation



Power:	S, U, ZN, or SE Controllers, 7-12 VDC from the RS port or a ALC/VC75-12
Temperature Sensor:	Precision 10K-2 Thermistor. Standard accuracy $\pm 0.36^{\circ}\text{F}$ ( $0.2^{\circ}\text{C}$ ). Less than $\pm 0.18^{\circ}\text{F}$ ( $0.1^{\circ}\text{C}$ ) drift over a 10 year period.
Humidity Sensor:	$\pm 2\%$ from 10% to 90% RH. Output: 0 to 5 VDC from 0 to 100% RH. Temperature Compensation Range: $-40$ to $185^{\circ}\text{F}$ ( $-40$ to $85^{\circ}\text{C}$ ) Power Consumption: less than .5 mA.
Wiring:	Four connector shielded or unshielded cable - 18 to 24 AWG recommended. Connects to LS2 connectors on ZN or SE controller and uses two of the controller's available Universal Inputs.
Communications:	LS2 sensors do not support pass-through communications to the building automation system. Use RS sensors if this feature is required.
Mounting:	Standard 2" by 4" electrical box using 6-32 by 1/2" mounting screws provided.
Overall Dimensions:	2.75" (width) by 4.75" (height) by 1.08" (depth) 69.9mm (width) by 120.7mm (height) by 27.4mm (depth)



\* LSBATCH2H and LSPLUS2H are not available with Communications Port