

Rev. 12/15/17

### Features & Options

- Low Profile Delta Style Enclosure
- Humidity Only or Temp./Humidity Combo
- LCD Readout (optional)
- 2% and 3% RH Accuracies
- User Adjustable Toggle Rate Between Temperature and Humidity
- Full-range Temperature Compensation of RH Signal
- Two Year Warranty

The Delta Style room units are available as humidity only sensors or as combination temperature and humidity sensors. The Delta Style enclosure features an optional LCD display with a user adjustable toggle rate between humidity and temperature and can display in either °C or °F. These units save time and money by allowing for field replacement of humidity elements without recalibration.



**Delta Style Enclosures  
with and without LCD  
Display**

### Associated Products

#### Blü-Test Bluetooth Wireless Temp & Humidity Testing Probe



Commissioning just got easier with the Blü-Test. There's no need to carry an extra meter because the probe communicates directly to your Bluetooth-enabled Smart Phone or Tablet. The free App even lets you log the data.

**See the *Wireless* section.**

#### VC350A "EZ" - Voltage Converter

BAPI recommends DC power on room units for a more stable reading. Our 350mA "EZ" is a perfect way to convert 24 VAC to 5, 12, 15 or 24 VDC.



**See the *Accessories* section.**

### Specifications

**Power:** 10 to 35 VDC or 12 to 24 VAC

#### Power Consumption:

22 mA max. DC (0 to 5 VDC or 4 to 20 mA Outputs)  
0.53 VA max. AC (0 to 5 VDC Output)

**Humidity Sensor:** Capacitive Type  
±2%RH or ±3%RH @ 25°C (77°F), 20 to 80%RH

**Wiring:** 2 to 3 pair of 16 to 22 AWG\*

**Mounting:** Standard 2x4" J-box or drywall mount - screws provided

#### Environmental Operation Range:

Temperature: 32 to 122 °F (0 to 50 °C)  
Humidity: 5 to 95%, non-condensing

**Material:** ABS Plastic

**Material Rating:** UL 94, V-0

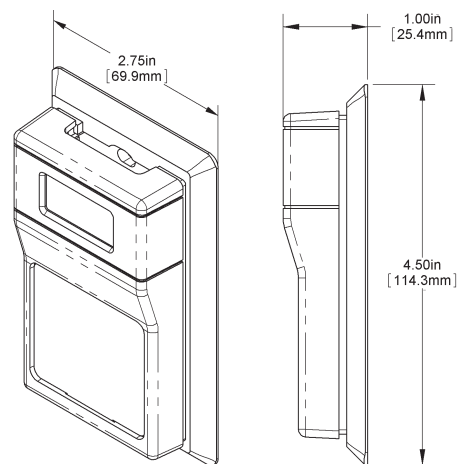
#### 10K-2 Thermistor Sensor Specifications

**Resistance:** 10 kΩ @ 25°C, -55°C to 150°C range

**Standard Accuracy:** 0.2°C (±0.36°F) at 0 to 70°C

**Dissipation Constant:** 2.7 mW/°C

**Stability (drift):** Less than ±0.1°C (0.18°F) drift over 10 years.



\* **BAPI** recommends that you do not run wiring for the room units in the same conduit as line voltage wiring or with wiring used to supply highly inductive loads such as motors, generators, and coils.



Manufactured by Building Automation Products, Inc., 750 N. Royal Ave., Gays Mills, WI 54631 USA  
Ph:+1-608-735-4800 • Fax:+1-608-735-4804 • E-mail:sales@bapihvac.com • Web:www.bapihvac.com

Automated Logic and the Automated Logic logo are registered trademarks of Automated Logic Corporation

## **Ordering Information/Part Numbers**

### **2%RH Humidity Units without a Temperature Sensor**

#### **ALC/H200-R:**

Delta Style Unit without Display, 2%RH accuracy, interchangeable 0 to 5 or 4 to 20 mA %RH Output

#### **ALC/H200-RD:**

Delta Style Unit with Display, 2%RH accuracy, interchangeable 0 to 5 or 4 to 20 mA %RH Output

### **3% RH Humidity Only Units without a Temperature Sensor**

#### **ALC/H300-R:**

Delta Style Unit without Display, 3%RH accuracy, interchangeable 0 to 5 or 4 to 20 mA %RH Output

#### **ALC/H300-RD:**

Delta Style Unit with Display, 3%RH accuracy, interchangeable 0 to 5 or 4 to 20 mA %RH Output

### **2% RH Humidity Units with 10K-2 Thermistor Temperature Sensor**

#### **ALC/10K-2-H200-R:**

Delta Style Unit without Display, 2%RH accuracy, interchangeable 0 to 5 or 4 to 20 mA %RH Output, 10K-2 Thermistor Temperature Sensor

#### **ALC/10K-2-H200-RD:**

Delta Style Unit with Display, 2%RH accuracy, interchangeable 0 to 5 or 4 to 20 mA %RH Output, 10K-2 Thermistor Temperature Sensor

### **3% RH Humidity Units with 10K-2 Thermistor Temperature Sensor**

#### **ALC/10K-2-H300-R:**

Delta Style Unit without Display, 3%RH accuracy, interchangeable 0 to 5 or 4 to 20 mA %RH Output, 10K-2 Thermistor Temperature Sensor

#### **ALC/10K-2-H300-RD:**

Delta Style Unit with Display, 2%RH accuracy, interchangeable 0 to 5 or 4 to 20 mA %RH Output, 10K-2 Thermistor Temperature Sensor

