

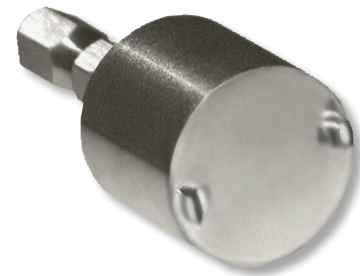
Rev. 03/21/13

Features & Options

- Quick, Easy and Professional Looking Knockouts for the BAPI-Box and BAPI-Box 2 Enclosures
- One Step Cutting Bit
- Standard Hex Drill Bit Shaft
- Quick Disconnect Shaft
- Built in Rim Stop Prevents Damage to Internal Components
- Stainless Steel Construction
- Comes with Blade Sheath

The Clean-Cut hole cutters are designed to cut out the plastic plugs in the 1/2" NPSM threaded ports of the BAPI-Box and BAPI-Box 2 polycarbonate enclosures. This tool makes removing the plastic plug fast and easy and produces a professional-looking .65" diameter hole.

A built-in stop prevents the tools from pushing through and possibly damaging sensitive electronics within the box, so there's no need to remove the items to drill the hole. The Stainless Steel construction keeps its edge and lasts for over 1,000 operations in both directions. The tool can be sharpened with a hand grinder or file and comes with a protective sheath to protect the blades and user.



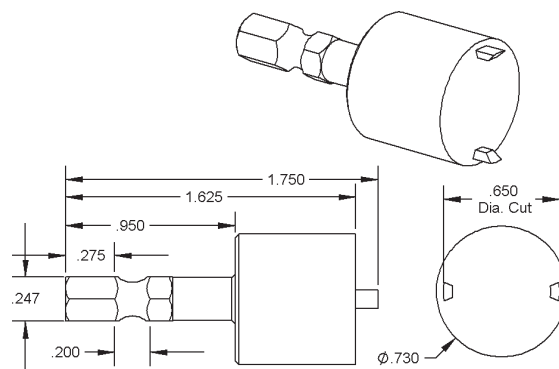
Clean-Cut Tool

ORDERING INFORMATION

ALC/CLN-CUT-50 Clean-Cut -1/2" threaded knockout cutting tool for BAPI-Box and BAPI-Box 2

Specifications

- Material** 316 Stainless Steel
- Rim Stop**..... 0.04" (1mm), in from edge
- Shaft Stem**..... 0.95" (24.1mm) long with quick disconnect shaft
- Drill Chuck**..... Quarter inch Hex
- Sharpening**..... Hand grinder or file (As needed)
- Weight:** 0.11lb (50.0g)
- Outer Diameter**..... Smooth 0.73" (18.5mm)
- Cutting Blades**
- Length0.125" (3.175mm)
- Width0.05" (1.27mm)
- Hole Cut**0.65" (16.51mm)



Clean Cut Dimensions