

Rev. 11/12/13

Features & Options

- Long Life Electrochemical Sensor
- High Accuracy at Low Concentrations
- Optional LCD Display
- Rugged Housing with Mounting Tabs
- Two Year Warranty

BAPI's Carbon Monoxide Sensor offers enhanced, long life electrochemical sensing with outstanding accuracy at low concentrations. The sensor has a range of 1 to 100 PPM or 1 to 300 PPM of Carbon Monoxide with a resolution of 1 PPM and a linear output of 4 to 20 mA. The unit also features a robust enclosure and is available with or without LCD display.



**Carbon Monoxide
Sensors with and
without Display**

Ordering Information/Part Numbers

CO SENSORS WITH DISPLAY

ALC/420CO-1-D-EUO CO Sensor, 4 to 20 mA, 0 to 100PPM, Outdoor EU Enclosure with Display

ALC/420CO-3-D-EUO CO Sensor, 4 to 20 mA, 0 to 300PPM, Outdoor EU Enclosure with Display

CO SENSORS WITHOUT DISPLAY

ALC/420CO-1-ND-EUO ... CO Sensor, 4 to 20 mA, 0 to 100PPM, Outdoor EU Enclosure

ALC/420CO-3-ND-EUO ... CO Sensor, 4 to 20 mA, 0 to 300PPM, Outdoor EU Enclosure

Specifications

Range: 1 to 100 PPM CO (normal range) or 1 to 300 PPM CO (optional)

Voltage requirement: 12 to 27 VDC (non-display) or 14 to 27 VDC (with display)

Signal output: 4 to 20 mA, 2-wire, loop powered

Sensor type: Electrochemical cell

Enclosure Material: UV-resistant plastic

Resolution: 1 PPM on display,
Infinite on 4 to 20 mA loop

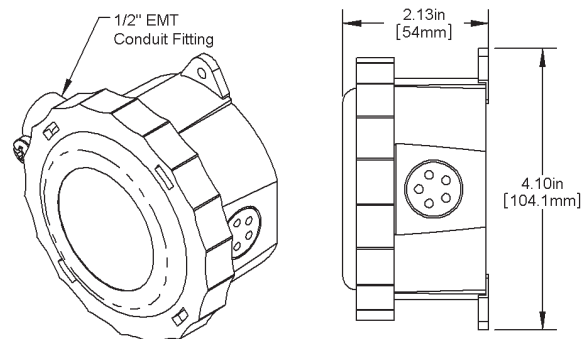
Accuracy: ±5 PPM (combination of linearity,
temperature, drift and repeatability)

Response time:
90%: Less than 40 seconds @ 25°C

Environmental Operating Range:

Temperature: -20 to 40°C (non-display)
-10 to 40°C (with display)

Humidity: 15 to 90% RH (constant)
0 to 98% RH (intermittent)



Sensor life expectancy: More than four years

Load Resistance: 500 Ohms max at 24 VDC

* **BAPI** recommends that you do not run wiring for the CO transmitter in the same conduit as line voltage wiring or with wiring used to supply highly inductive loads such as motors, generators, and coils.