

Rev. 07/13/10

Overview

The BP2, BP4 and BP8 Backplanes provide a convenient way to mount and power the BAPI ETA interface devices which helps cut down on control panel and control room clutter. All three backplanes fit standard 2.75" snaptrack.

Connectors on the face of each Backplane plug into mating connectors on the ETA modules. The BP8 accommodates eight ETA modules while the BP4 accommodates four and the BP2 accommodates two.

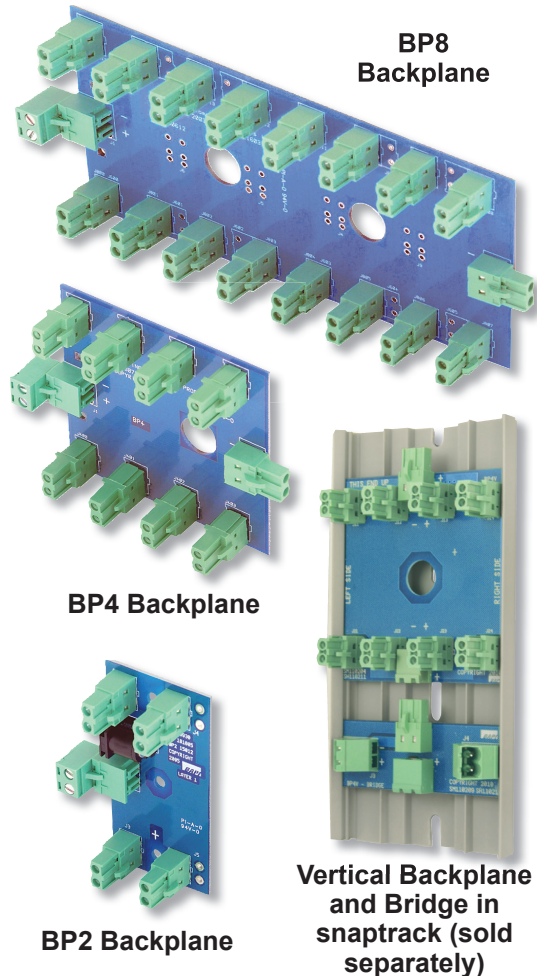
For large control systems, the Backplanes receive power from a PS17 or PS17CB Power Supply or a VC2700-STM voltage converter. The Backplanes can be plugged together using the end connectors to build large systems. For small control systems, the Backplanes can receive power from the BAPI VC350A-EZ voltage converter.

The BP4-V Vertical Backplane was designed to add additional ETA boards into a congested panel by allowing the use of small vertical spaces that may go unused. Each BP4-V accommodates four ETA modules.

If there is enough space for more than one Vertical Backplane, they should be connected together with a BR - Bridge. The Bridge provides clearance from one Vertical Backplane to the other for easy insertion of the ETA modules.

ORDERING INFORMATION

- ALC/BP2 2-Position Interface Backplane
- ALC/BP4 4-Position Interface Backplane
- ALC/BP8 8-Position Interface Backplane
- ALC/BP4-V.... Vertical Backplane
- ALC/BP-BR... Bridge (to connect Vertical Backplanes)



Standard Backplane Specifications

PCB Lengths	
BP2	1.5in [38.1mm]
BP4	3in [76.2mm]
BP8	6in [152.4mm]

PCB Lengths (See Table)

1.25in [31.8mm]

.75in [19.1mm] Typ.

BP8 Backplane in a 18" piece of 2.75" snaptrack (sold separately)

Power Voltage: 0 to 40 VDC or VAC
Power Current: 4 Amp max.

Vertical Backplane Specifications

BA/BP4-V - Vertical Backplane in a 18" piece of 2.75" snaptrack

3.70in [94mm]

81in [206mm]

2.75in [69.9mm]

BA/BP-BR - Bridge in the same snaptrack

2.75in [69.9mm]

1.36in [34mm]

85in [2159mm]

Power Voltage: 12 to 36 VDC, 18 to 32 VAC
Power Current: 4 Amp max.