

Rev. 10/12/12

Membrane Keypad for Wipedown Cleaning

Features & Options

- Large Easy-to-Read Display
- Temperature Alone or Combination Temp./Humidity
- Membrane Pushbuttons for Wipedown Cleaning
- Adjustable Temperature and Humidity Setpoints
- 2% RH Accuracy
- Two Year Warranty

The BAPI-Stat features an easy-to-read LCD display and membrane pushbuttons for wipedown cleaning. It is available as a temperature sensor alone or as a combination temperature/humidity sensor.

**BAPI-Stat Combo Unit**

Depending upon the options selected, the BAPI-Stat can display room temperature, room humidity,

Associated Products

Blü-Test Bluetooth Wireless Temp & Humidity Testing Probe



Commissioning just got easier with the Blü-Test. There's no need to carry an extra meter because the probe communicates directly to your Bluetooth-enabled Smart Phone or Tablet. The free App even lets you log the data.

See the Wireless section.

temperature setpoint, humidity setpoint and override status. The unit includes a number of field adjustments including °F or °C display, temperature offset (± 5 °F or °C in increments of 0.1°), RH offset ($\pm 5\%$ in increments of 0.1%), or setpoint lockout (which disables the setpoint pushbuttons).

The display can also be set to show a large temperature and small %RH, a large %RH and a small temperature, or to alternate between these two settings every five seconds.

Specifications

Power: 10 to 35 VDC (15 to 24 VDC recommended) for 4 to 20 mA or 0 to 5 VDC Outputs
 15 to 35 VDC (15 to 24 VDC recommended) for 0 to 10 VDC Output
 12 to 28 VAC (Requires a separate pair of shielded wires) for 4 to 20 mA or 0 to 5 VDC Outputs
 15 VAC to 28 VAC (Requires a separate pair of shielded wires) 0 to 10 VDC Output

Power Consumption:

60 mA max. DC: 4 to 20 mA or 0 to 5 VDC Outputs
 10 mA max. DC: 0 to 10 VDC Output
 1.44 VA max. AC; 4 to 20 mA or 0 to 5 VDC Outputs
 0.2 VA max. AC: 0 to 10 VDC Output

RH/Temp Sensor Constr.: Communicating Integrated Circuit

Humidity: Capacitive Polymer,
 $\pm 2\%$ RH (10% to 90%) @25°C, Fully Compensated

Temp: Semiconductor Band Gap, $\pm 0.3^\circ\text{C}$ @ 25°C

Optional Direct Temp Sensor: Therm., RTD or Semiconductor

Mounting: 2" by 4" J-box or drywall mount - screws provided

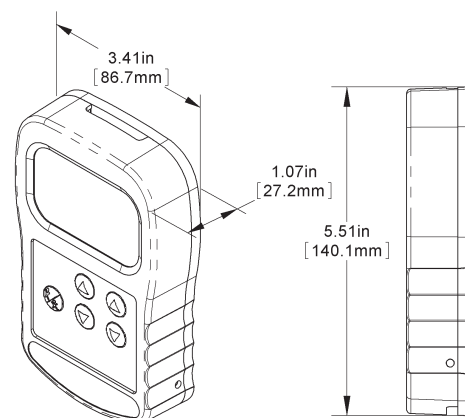
Environmental Specifications:

Temperature: 32 to 122 °F (0 to 50 °C)

Humidity: 0 to 95%, non-condensing

Wiring: 2 to 4 pair of 16 to 22 AWG*

Material: ABS Plastic - UL 94, V-0



* **BAPI** recommends that you do not run wiring for Room Units in the same conduit as line voltage wiring or with wiring used to supply highly inductive loads such as motors, generators, and coils.

Ordering Information/Part Numbers

UNITS WITH °F INDICATION

ALC/BSF2-5M-11M-20G81CG-102-OFW

BAPI-Stat with Display, °F Indication, 10K-2 Thermistor Temp Sensor, Temp Setpoint with Display Range of 45 to 96°F and Output Range of 4.75 to 24.75 KΩ, %RH Measurement with 0 to 5V Output, %RH Setpoint with 0 to 5V Output, Override in Parallel with the Setpoint Output, Common Ground Configuration, Off White Enclosure

ALC/BSF2-11M-20G81CG-102-OFW

BAPI-Stat with Display, °F Indication, 10K-2 Thermistor Temp Sensor, Temp Setpoint with Display Range of 45 to 96°F and Output Range of 4.75 to 24.75 KΩ, %RH Measurement with 0 to 5V Output, Override in Parallel with the Setpoint Output, Common Ground Configuration, Off White Enclosure

ALC/BSF-20G81CG-102-OFW

BAPI-Stat with Display, °F Indication, 10K-2 Thermistor Temp Sensor, Temp Setpoint with Display Range of 45 to 96°F and Output Range of 4.75 to 24.75 KΩ, Override in Parallel with the Setpoint Output, Common Ground Configuration, Off White Enclosure

ALC/BSF2-11M-102-OFW

BAPI-Stat with Display, °F Indication, 10K-2 Thermistor Temp Sensor, %RH Measurement with 0 to 5V Output, Off White Enclosure

ALC/BSF-102-OFW

BAPI-Stat with Display, °F Indication, 10K-2 Thermistor Temp Sensor, Off White Enclosure

UNITS WITH °C INDICATION

ALC/BSC2-5M-11M-20G81CG-102-OFW

BAPI-Stat with Display, °C Indication, 10K-2 Thermistor Temp Sensor, Temp Setpoint with Display Range of 7 to 35°C and Output Range of 4.75 to 24.75 KΩ, %RH Measurement with 0 to 5V Output, %RH Setpoint with 0 to 5V Output, Override in Parallel with the Setpoint Output, Common Ground Configuration, Off White Enclosure

ALC/BSC2-11M-20G81CG-102-OFW

BAPI-Stat with Display, °C Indication, 10K-2 Thermistor Temp Sensor, Temp Setpoint with Display Range of 7 to 35°C and Output Range of 4.75 to 24.75 KΩ, %RH Measurement with 0 to 5V Output, Override in Parallel with the Setpoint Output, Common Ground Configuration, Off White Enclosure

ALC/BSC-20G81CG-102-OFW

BAPI-Stat with Display, °C Indication, 10K-2 Thermistor Temp Sensor, Temp Setpoint with Display Range of 7 to 35°C and Output Range of 4.75 to 24.75 KΩ, Override in Parallel with the Setpoint Output, Common Ground Configuration, Off White Enclosure

ALC/BSC2-11M-102-OFW

BAPI-Stat with Display, °C Indication, 10K-2 Thermistor Temp Sensor, %RH Measurement with 0 to 5V Output, Off White Enclosure

ALC/BSC-102-OFW

BAPI-Stat with Display, °C Indication, 10K-2 Thermistor Temp Sensor, Off White Enclosure

