

C6 BAPI-Stat 4™ Room Unit

Humidity & Combination
Temp./Humidity Sensors

Rev. 12/15/17

Features & Options

- Modern, Aesthetically Pleasing Enclosure
- 10K-2 Thermistor Temperature and 2% RH Humidity Sensor
- Large Display with °F or °C Indication
- Temperature Setpoint and Occupant Override
- Full-range Temperature Compensation of RH Signal
- Two Year Warranty

The BAPI-Stat 4 room sensor is similar in size to the Delta Style Enclosure but with a larger display and greater functionality. The BAPI-Stat 4 unit features temperature and humidity measurement with display, temperature setpoint adjustment and occupant override.

The unit is available with °F or °C indication with a user-adjustable toggle rate between the temperature and humidity display.



**BAPI-Stat 4 Style Unit
with Temperature
Setpoint and Override**

Associated Products

Blü-Test Bluetooth Wireless Temp & Humidity Testing Probe



Commissioning just got easier with the Blü-Test. There's no need to carry an extra meter because the probe communicates directly to your Bluetooth-enabled Smart Phone or Tablet. The free App even lets you log the data.

See the Wireless section.

Trim Ring for the BAPI-Stat 4

If you are using back boxes with the BAPI-Stat 4, the trim ring covers any wall imperfections between the back box and the wall.

See the Accessories section for more info.



Specifications

Power: 10 to 40 VDC or 12 to 24 VAC (AC requires a separate pair of shielded wires)

Power Consumption: 4 mA max. or 0.1 VA max.

RH/Temp Sensor Construction: Communicating Integrated Circuit

Humidity Accuracy: $\pm 2\%$ RH @ 25°C (77°F), 20 to 80% RH

Temp Accuracy: $\pm 0.3^\circ\text{C}$ ($\pm 0.54^\circ\text{F}$) @ 20 to 40°C (68 to 104°F)

Field Calibration Adjustment: Potentiometer: $\pm 5\%$ in 0.1% increments (Factory Calibrated)

Wiring: 2 to 6 pair of 16 to 22 AWG*

Mounting: Standard 2"x4" J-box or drywall mount, screws provided

Environmental Operation Range:

Temperature: 32 to 122 °F (0 to 50 °C)

Humidity: 0 to 95%, non-condensing

Material and Rating: ABS Plastic, UL 94, V-0

10K-2 Thermistor Sensor Specifications

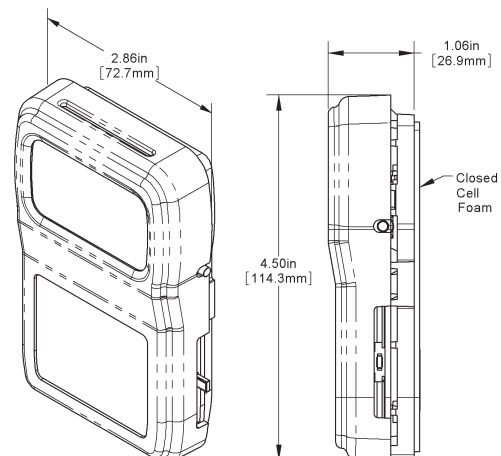
Resistance: 10 k Ω @ 25°C, -55°C to 150°C range

Standard Accuracy: 0.2°C ($\pm 0.36^\circ\text{F}$) at 0 to 70°C

Dissipation Constant: 2.7 mW/°C

Stability(drift): Less than $\pm 0.1^\circ\text{C}$ (0.18°F) drift over 10 years.

** BAPI recommends that you do not run wiring for the Room Units in the same conduit as line voltage wiring or with wiring used to supply highly inductive loads such as motors, generators, and coils.



Manufactured by Building Automation Products, Inc., 750 N. Royal Ave., Gays Mills, WI 54631 USA
Ph:+1-608-735-4800 • Fax:+1-608-735-4804 • E-mail:sales@bapihvac.com • Web:www.bapihvac.com

Automated Logic and the Automated Logic logo are registered trademarks of Automated Logic Corporation

Ordering Information/Part Numbers

BAPI-Stat 4 Temp/Humidity Units with °F Display, 0 to 5 VDC %RH Output and Temp Setpoint Adjustment

ALC/10K-2-H205-B4DF-A81-P-CG:

BAPI-Stat 4 Temp/Humidity Unit with Setpoint Display Range of -3 to +3

ALC/10K-2-H205-B4DF-B81-P-CG:

BAPI-Stat 4 Temp/Humidity Unit with Setpoint Display Range of -5 to +5

ALC/10K-2-H205-B4DF-C81-P-CG:

BAPI-Stat 4 Temp/Humidity Unit with Setpoint Display Range of 50 to 90°F

ALC/10K-2-H205-B4DF-D81-P-CG:

BAPI-Stat 4 Temp/Humidity Unit with Setpoint Display Range of 55 to 85°F

ALC/10K-2-H205-B4DF-E81-P-CG:

BAPI-Stat 4 Temp/Humidity Unit with Setpoint Display Range of 60 to 80°F

ALC/10K-2-H205-B4DF-F81-P-CG:

BAPI-Stat 4 Temp/Humidity Unit with Setpoint Display Range of 65 to 80°F

BAPI-Stat 4 Temp/Humidity Units with °C Display, 0 to 5 VDC %RH Output and Temp Setpoint Adjustment

ALC/10K-2-H205-B4DC-A81-P-CG:

BAPI-Stat 4 Temp/Humidity Unit with Setpoint Display Range of -3 to +3

ALC/10K-2-H205-B4DC-B81-P-CG:

BAPI-Stat 4 Temp/Humidity Unit with Setpoint Display Range of -5 to +5

ALC/10K-2-H205-B4DC-C81-P-CG:

BAPI-Stat 4 Temp/Humidity Unit with Setpoint Display Range of 10 to 32°C

ALC/10K-2-H205-B4DC-D81-P-CG:

BAPI-Stat 4 Temp/Humidity Unit with Setpoint Display Range of 13 to 30°C

ALC/10K-2-H205-B4DC-E81-P-CG:

BAPI-Stat 4 Temp/Humidity Unit with Setpoint Display Range of 15 to 27°C

ALC/10K-2-H205-B4DC-F81-P-CG:

BAPI-Stat 4 Temp/Humidity Unit with Setpoint Display Range of 18 to 27°C

All units have the occupant override in parallel with the setpoint, a setpoint output range of 4.75k to 24.75k Ohms, have a 10K-2 Thermistor direct sensor and common ground configuration. The relative humidity accuracy is ±2%.

