

Overview

The SRBP Single Repeater Backplane fits 2-3/4 inch snaptrack and supplies power and convenient mounting to one Electronic Technician Assistant communication module. A connector on the face of the single repeater backplane plugs into a mating connector on the Electronic Technician Assistant communications module. A connector on the single repeater backplane receives power from a 12 VDC power supply, such as BAPI's VC350 voltage converter which was developed for this task. Three connectors on the single repeater backplane allow connection to a local RS-485 network.

The single communications repeater backplane provides transient protection for the communications network.

Mounting

Each SRBP board requires 3-1/4 inches of snaptrack. Attach the snaptrack to a suitable mounting surface. Convention has the power and local network connectors to the right.

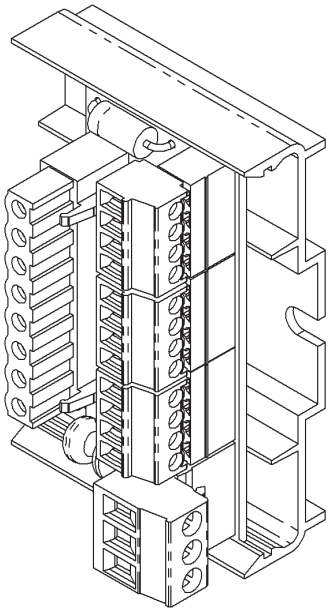


Figure 1
SRBP Single Repeater
Backplane

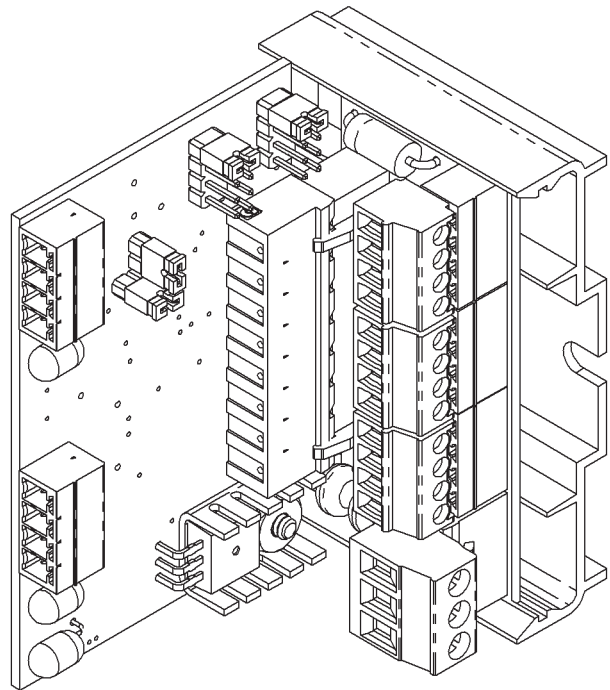


Figure 2
RPTR Repeater plugged into an
SRBP Single Repeater
Backplane

Plug the BAPI Electronic Technician Assistant RPTR Repeater or FOX Fiber Optic Transceiver communication modules into the SRBP Single Repeater Backplane backplane as shown in figure 2. Terminate the Repeater or Fiber Optic Transceiver modules as shown in their installation literature.

Specifications subject to change without notice.

Component Identifier

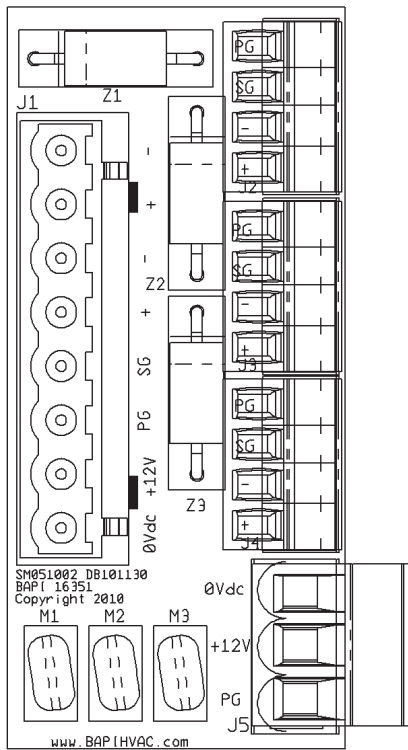


Figure 3
SRBP pin numbers

Communications Connectors J2, J3 & J4		
Pin Number	Pin Name	Function
1	PG	Protective Ground, Cable Shields and Transient Voltage Suppressors
2	SG	Signal Ground, Signal Ground for Repeaters and Power Ground
3	-	Communications Network Negative
4	+	Communications Network Positive

Power Connector J5		
Pin Number	Pin Name	Function
1	0 Vdc	Signal Ground, +12 Vdc Power Ground
2	+12 Vdc	Power Supply for Repeaters
3	PG	Protective Ground, Connect to a good local earth ground

Diagnostics

PROBLEMS

BAPI Electronic Technician Assistant board has no power.

BAPI Electronic Technician Assistant board will not plug into backplane

SOLUTIONS

- Make sure that the power supply is turned on and supplying power
- Make sure that the BAPI Electronic Technician Assistant board is firmly plugged into the backplane
- Make sure that the power connector is firmly plugged into the backplane board
- Make sure that the backplane is inserted into the snaptrack in the proper orientation

Specifications

Power Voltage 12 VDC
Power Current 4 Amp maximum

Specifications subject to change without notice.