

## Overview

Many HVAC peripherals come with a short pigtail wire for connecting to the rest of your system. Running wire from your control panel to the peripheral and connecting them together is your headache. Most of the time it's twist the wires together and apply wire nuts. Later, when you need to disconnect the peripheral for troubleshooting, the inconvenient wire nuts get lost and the loose wires short out ruining the controller.

BAPI's BELCON connector pair allows a four-pole pluggable connection between your peripheral and the control wiring. You can quickly disconnect any peripheral without fear of wires shorting together or to any conductive surface.

## Termination

The BAPI BA/BELCON connects up to four circuits together as shown in figure 1. Keys on the connector only allow the BA/BELCON to be connected one way. Be sure to fully seat the connector to assure a complete connection.

**Note:** The connectors use a rising block screw terminal to hold the wires. It is possible for the block to be in a partially up position allowing the wire to be inserted under the block. Be sure that the connector screws are turned fully counter-clockwise before inserting the wire. Lightly tug on each wire after tightening to verify proper termination.

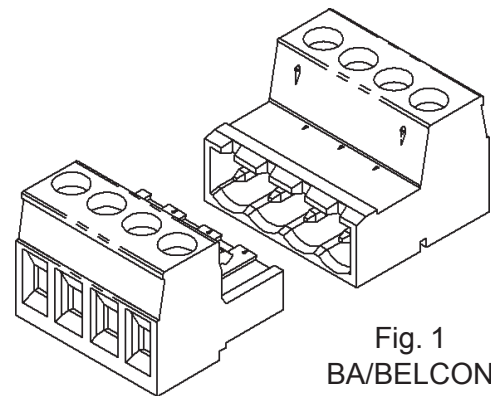


Fig. 1  
BA/BELCON

## Troubleshooting

### PROBLEMS:

Circuits do not work correctly

### POSSIBLE SOLUTIONS:

- Make sure that the same circuit is on the same terminal pin numbers.
- Fully seat the connector to assure a complete connection.

## Specifications

Wire size - 16 to 22 gauge  
NEC Class 2 circuits, 4 Amps or less

Specifications subject to change without notice.