

Overview

In some applications, the transient protection on the communications terminals of DDC controllers is inadequate. Examples are roof mounted air handlers, pad mounted air conditioners or chillers – or anything attached to the building’s HVAC system but outside the building envelope.

BAPI’s COMSRG provides the extra muscle necessary to prevent damage. The COMSRG plugs between the communications network and any of the COMBLK, RPTR or TUCOM.

Mounting

Fig. 1
BA/COMSRG plugged
into a BA/COMBLK

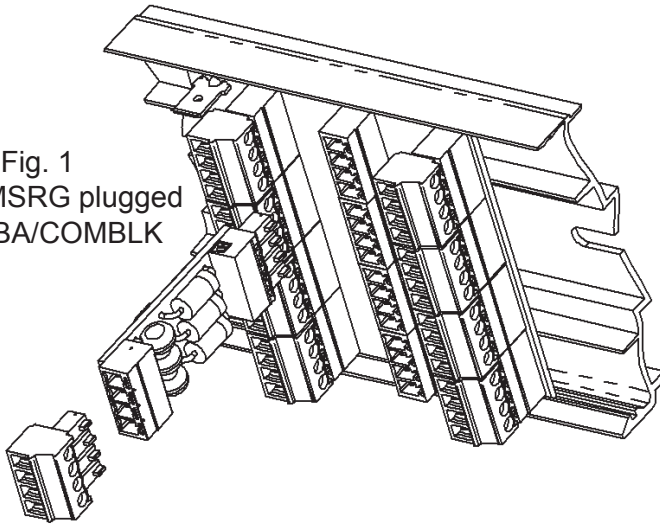


Fig. 3
BA/COMSRG plugging
into a BA/TUCOM

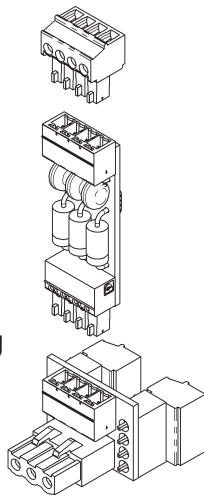
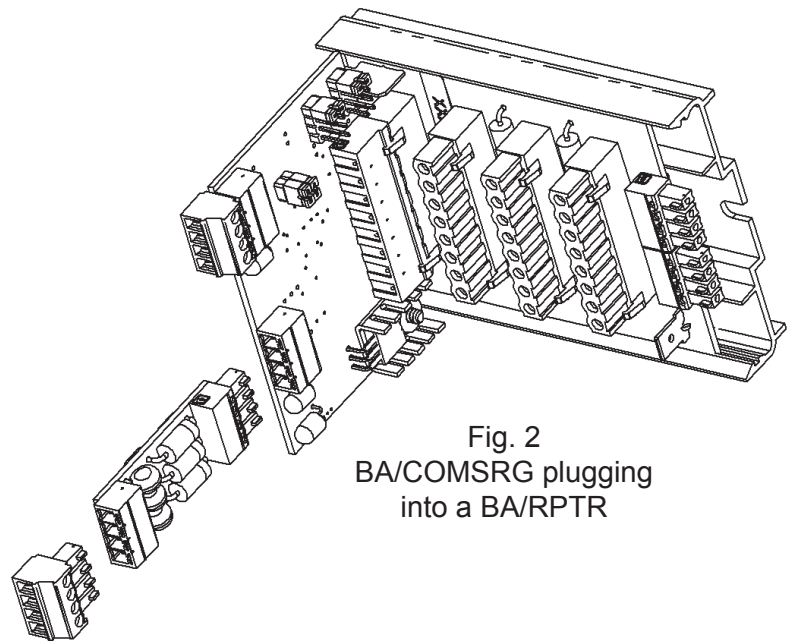


Fig. 2
BA/COMSRG plugging
into a BA/RPTR



Specifications subject to change without notice.