

Overview

The BAPI Electronic Technician Assistant enclosures are 14-gauge painted steel. NEMA 1 rated panels are available in a wide range of sizes. BAPI provides a 44 x 20 x 8 inch NEMA 4X panel. No knockouts are provided; drill and punch where you need conduit openings. Flipping the enclosure 180 degrees accommodates left or right hand door openings. The NEMA 4X panel has mounting tabs, all other enclosures mount by drilling holes in the back to fit your application.

BAPI Part Number	Size	Empty Weight	NEMA Rating
BA/44208N1S	44 x 20 x 8 inches	90 lbs	1
BA/44208N4XS	44 x 20 x 8 inches	95 lbs	4X
BA/32208N1S	32 x 20 x 8 inches	68 lbs	1
BA/20208N1S	20 x 20 x 8 inches	47 lbs	1

Both 44 x 20 x 8 inch enclosures have two permanent dividers that provide a wireway for input and output conduit connections at the top of the enclosure and a high voltage compartment at the bottom of the enclosure for the power supply. Each enclosure comes with a Large Backplate (BP185X285), a Small Backplate (BP6X185) and two Bracket Cable Guides (BCG).

The BAPI 32 x 20 x 8 inch enclosure has two permanent dividers that provide a wireway for input and output conduit connections at the top of the enclosure and a high voltage compartment at the bottom of the enclosure for the power supply. The enclosure comes with a medium backplate (not sold separately), a Small Backplate (BA/BP6X185) and two Bracket Cable Guides (BA/BCG).

The BAPI 20 x 20 x 8 inch enclosure has one field-installed divider that provides a high voltage compartment in the enclosure to isolate a power supply. The enclosure comes with a backplate and two Bracket Cable Guides (BCG). Additional Bracket Cable Guides may be purchased separately to help you neatly place wire in the enclosures.

Backplate mounting studs, 4 typical per plate

Customer supplied controllers

PAN16 Panduit Wire Duct

ETA modules in a TRK18 Snaptrack

Field Installed Divider

Customer supplied transformer

PS17 Power Supply

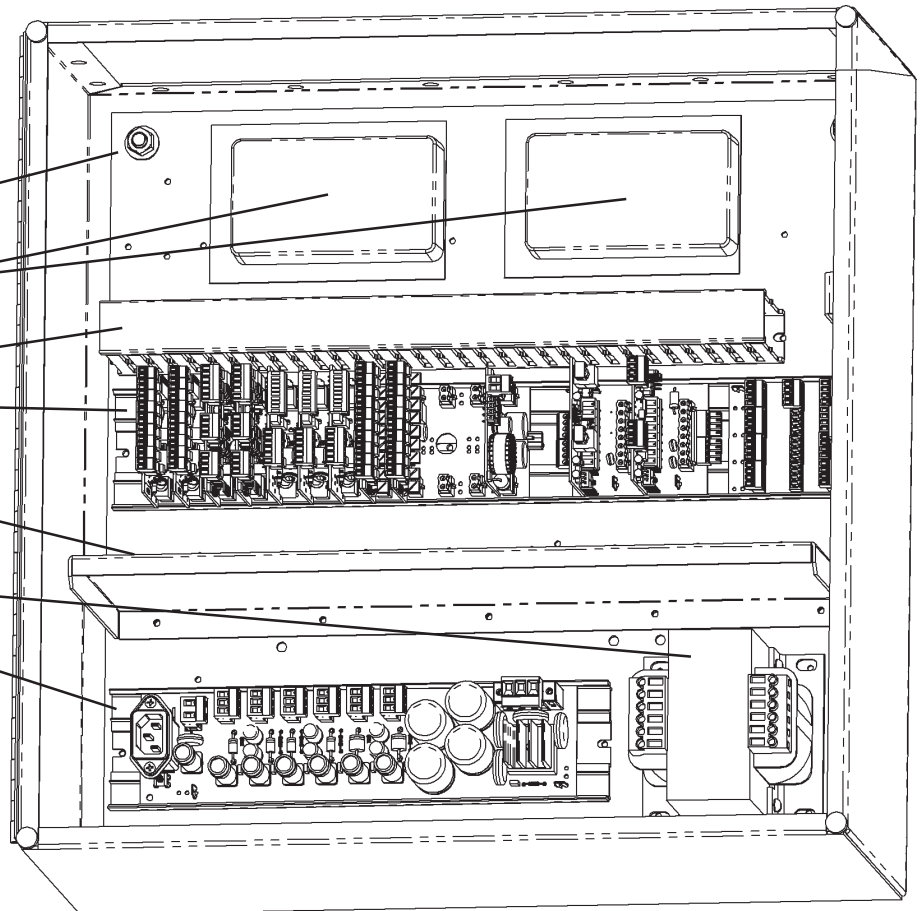


Figure 1:

BAPI 20 x 20 x 8 enclosure and medium backplate loaded with a BA/PS17, ETA modules, BA/PAN16 wire duct and two controllers - showing the field installed divider.

Specifications subject to change without notice.

20 x 20 x 8 Enclosure - Backplate Hole Location/Guide

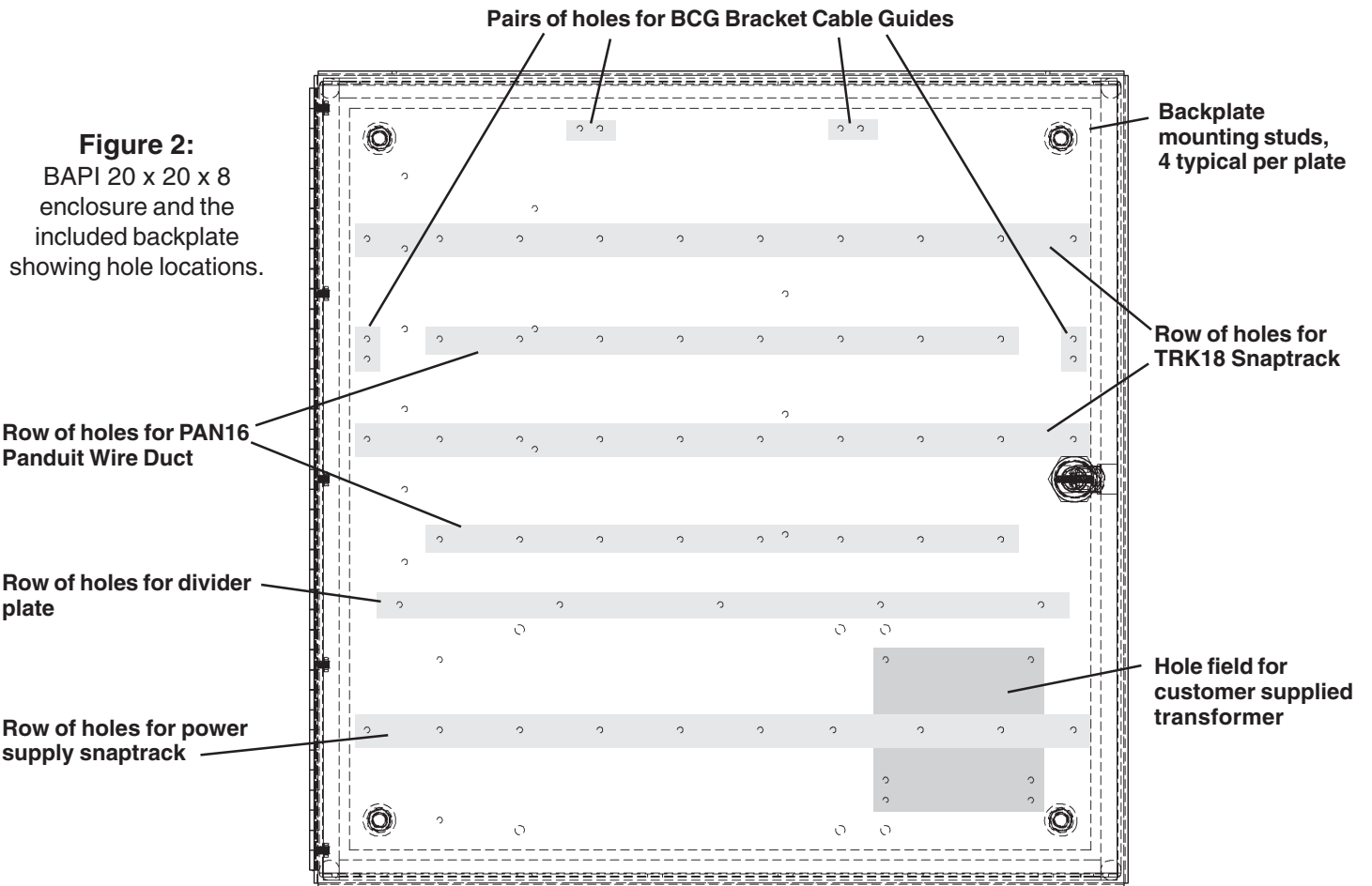


Figure 2:
BAPI 20 x 20 x 8 enclosure and the included backplate showing hole locations.

The Medium Backplate is only supplied with BAPI's 20 x 20 x 8 Enclosure and the hole pattern is shown above. Since you may wish to rotate the enclosure for left or right door opening, the divider plate is shipped loose.

After mounting the backplate in the orientation you desire screw the divider to the indicated row of holes with the self-tapping screws provided. Power supplies and customer supplied transformers may be attached to the plate in the suggested positions. TRK18 Snaptrack and PAN16 Panduit are accommodated in the suggested positions. You may add any holes you wish to the plate.

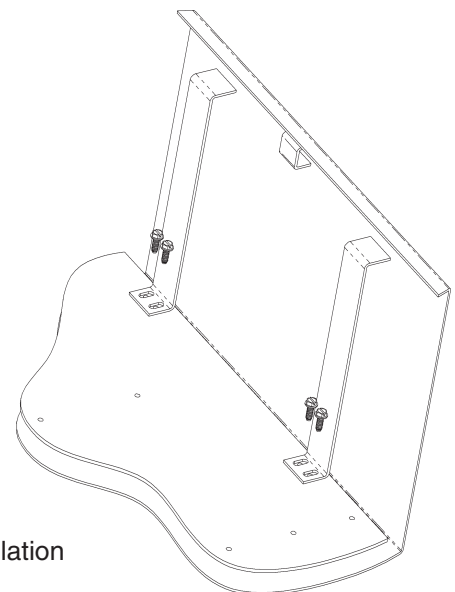


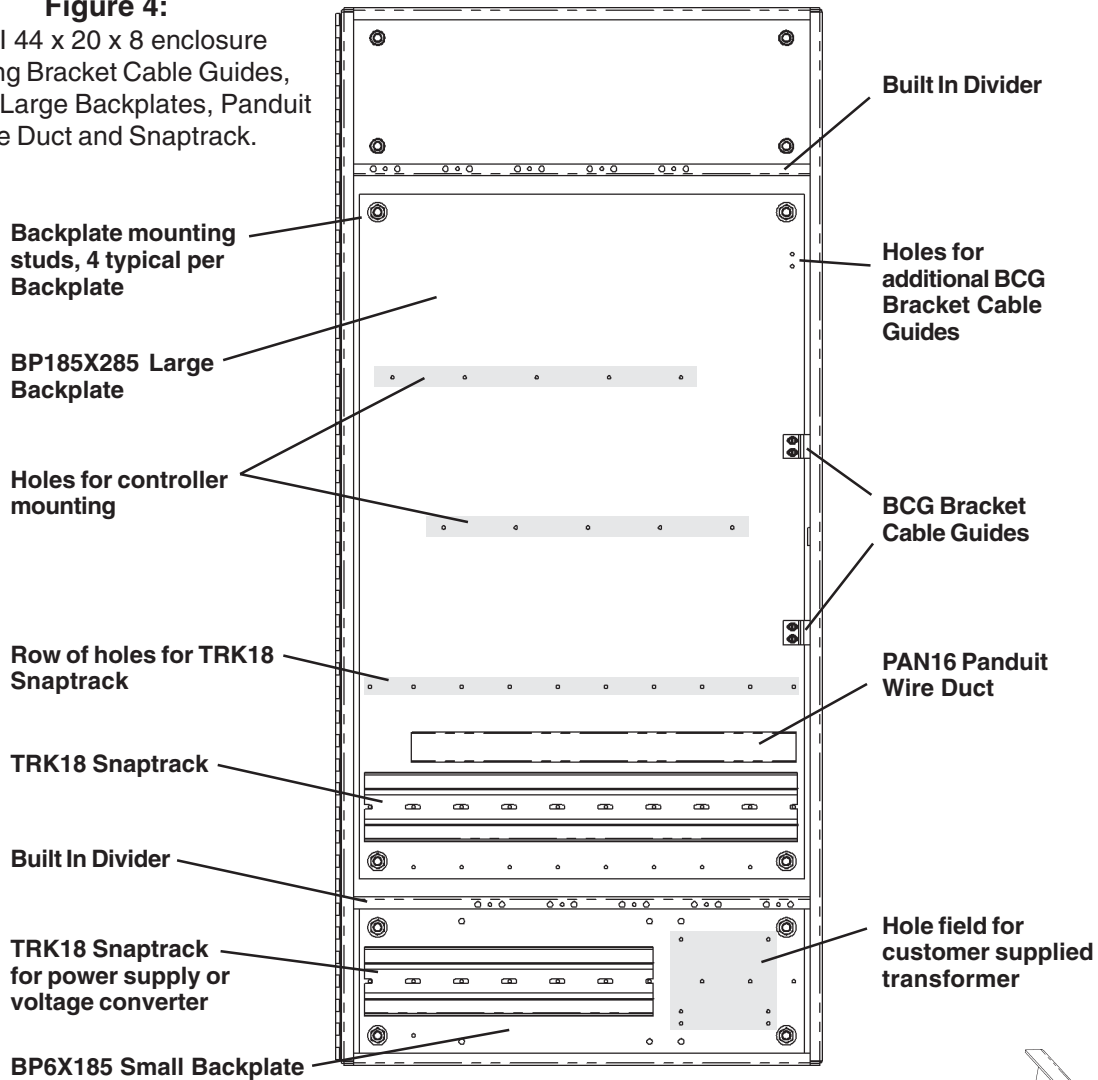
Figure 3:
Bracket Cable Guide (BCG) installation

Specifications subject to change without notice.

44 x 20 x 8 Enclosure - Small & Large Backplate Hole Location/Guide

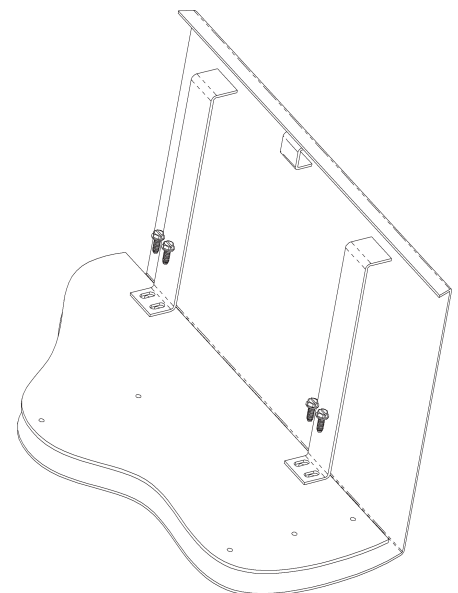
Figure 4:

BAPI 44 x 20 x 8 enclosure showing Bracket Cable Guides, Small & Large Backplates, Panduit Wire Duct and Snaptrack.



The Large Backplate (BP185X285) has punched holes to mount a variety of accessories, see Figure 4. As shown, at the bottom of the plate, are two rows of holes for TRK18 Snaptrack and a row for a PAN16 Panduit Wire Duct. Along the right edge are sets of holes for up to three Bracket Cable Guides (BCGs). If you need the BCGs on the left side, rotate and mount the plate that way. The upper half of the plate has random holes that can be used to mount many different types of controllers. You may add any holes you wish to the plate.

The Small Backplate (BP6X185) has punched holes to mount a variety of accessories. As shown, holes are available for power supply snaptrack and user supplied transformers.



Specifications subject to change without notice.

Mounting

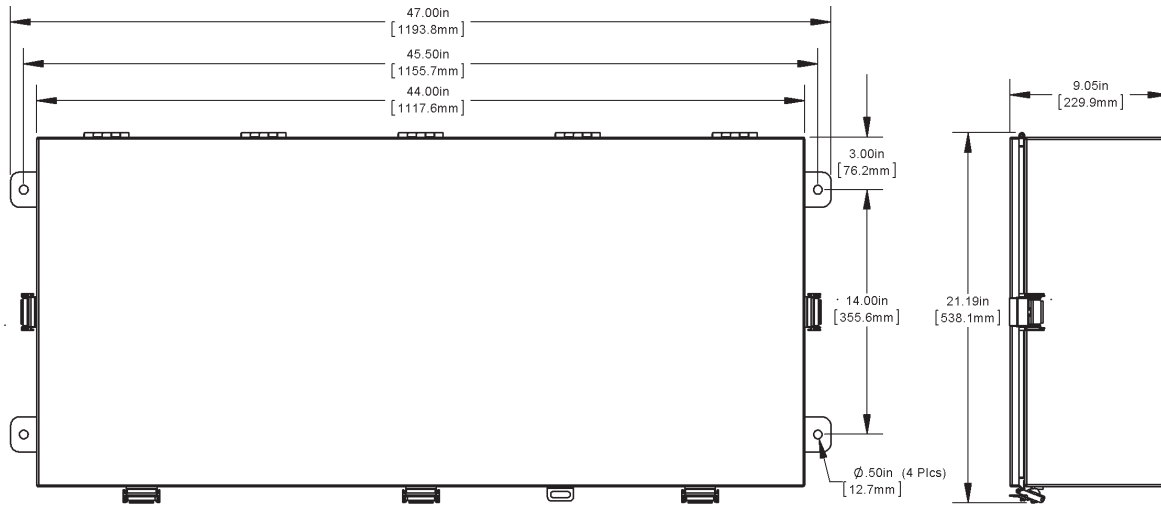


Figure 5:

44X20X8 Overall and Mounting Hole Dimensions

Select a mounting location that conforms to the National Electric Code and local codes. BAPI recommends a minimum of two 3/8 inch SAE grade 2 steel bolts to hold the enclosure to the mounting surface.

NEMA 1 Enclosures

Each backplate has four mounting studs welded into the enclosure to mount the backplate. Remove the four nuts and the backplate. Drill through the back of the enclosure for your mounting fasteners. After attaching the enclosure to your mounting surface place the backplate onto the studs in the desired orientation. Replace the nuts and torque to 16 foot-pounds.

NEMA 4X Enclosures

Use the external mounting tabs to secure the enclosure to your mounting surface. **DO NOT** drill through the back of the enclosure to mount it.

Note: Be sure to check local seismic codes for additional mounting requirements.

There are no conduit knockouts in any of the enclosures. Drill and punch for any conduit openings you require.

The Large Backplate (BP185X285) has punched holes to mount a variety of accessories, see Figure 4. As shown, at the bottom of the plate, are two rows of holes for TRK18 Snaptrack and a row for a PAN16 Panduit Wire Duct. Along the right edge are sets of holes for up to three Bracket Cable Guides (BCGs). If you need the BCGs on the left side, rotate and mount the plate that way. The upper half of the plate has random holes that can be used to mount many different types of controllers. You may add any holes you wish to the plate.

The Small Backplate (BP6X185) has punched holes to mount a variety of accessories. As shown, holes are available for power supply snaptrack and user supplied transformers.

The Medium Backplate is only supplied with BAPI's 20 x 20 x 8 Enclosure and the hole pattern is shown in Figure 2. Since you may wish to rotate the enclosure for left or right door opening, the divider plate is shipped loose. After mounting the backplate in the orientation you desire screw the divider to the indicated row of holes with the self-tapping screws provided. Power supplies and customer supplied transformers may be attached to the plate in the suggested positions. TRK18 Snaptrack and PAN16 Panduit are accommodated in the suggested positions. You may add any holes you wish to the plate.

Specifications subject to change without notice.