



Adaptor Plates for Retrofits (BA/ADP)

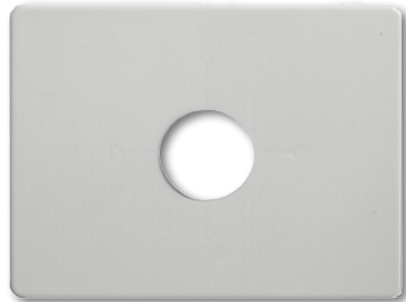
Installation and Instructions

10488_ins_adapter_plate

rev. 09/15/22

Overview & Identification

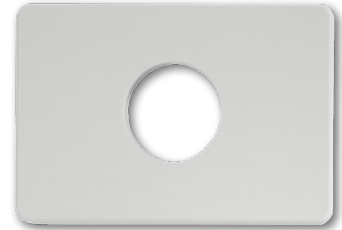
BAPI Adaptor Plates is designed to cover wall imperfections when installing wall sensors or thermostats. They are made in different sizes and colors to meet the need to cover different wall imperfections or holes as well as sensor size. Each size is made in three different colors (Bright White, Off White and Cloud White) to match the sensor or thermostat for a professional looking installation. Each can be painted or wall papered in place if architecturally required.



BA/ADP-525-7-BW



BA/ADP-53-53-BW



BA/ADP-37-55-BW



BA/ADP-37-55-BW-UK

Specifications

Material:

ABS plastic, Flame-retardant, UL 94, V-0

Application:

Horizontal or Vertical

Mounting:

Drywall, US back box or European back box

Color Match

- BW, Bright White:
BAPI-Stat "Quantum" and "Quantum Prime" Room Units (Approx. Pantone Bright White) also Delta and BAPI-Stat 4 Units purchased after 2020
- OFW, Off White:
BAPI-Stat 3 (Approx. Pantone Warm Gray 1)
- CDW, Cloud White:
Delta, BAPI-Stat 4 (Approx. Pantone Cool Gray 1)

Holes:

Center wire-way hole 1.67" diameter

Surface:

Textured face, Mold-tech spec M11040

Paintable:

Field applied, Latex recommended if needed

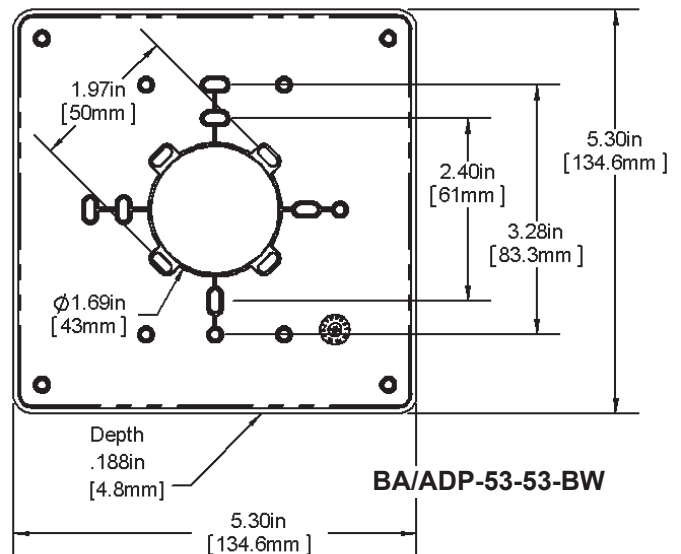
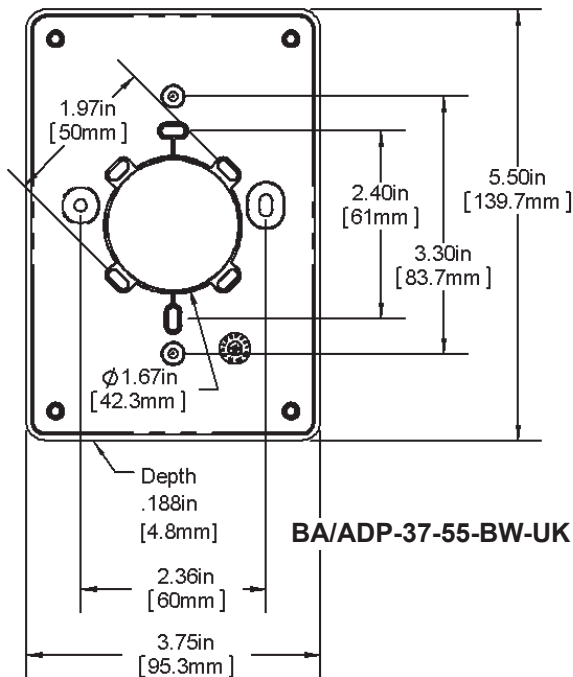
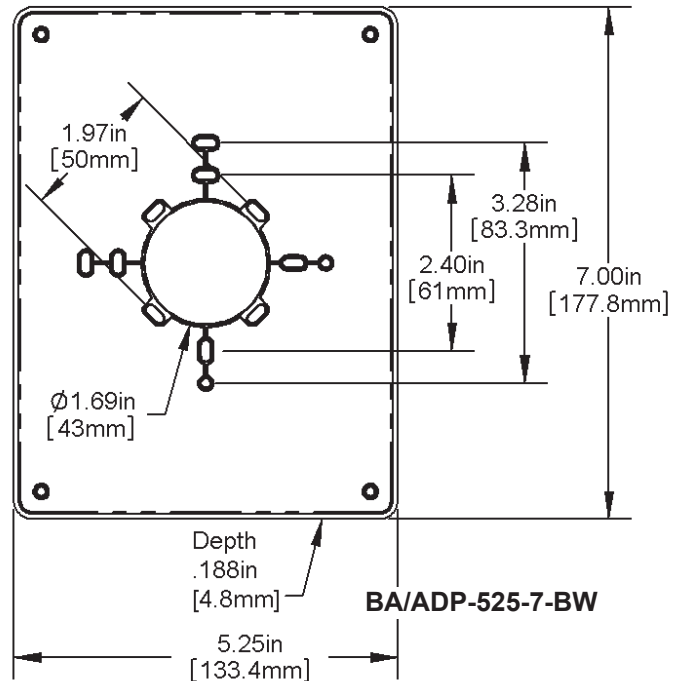
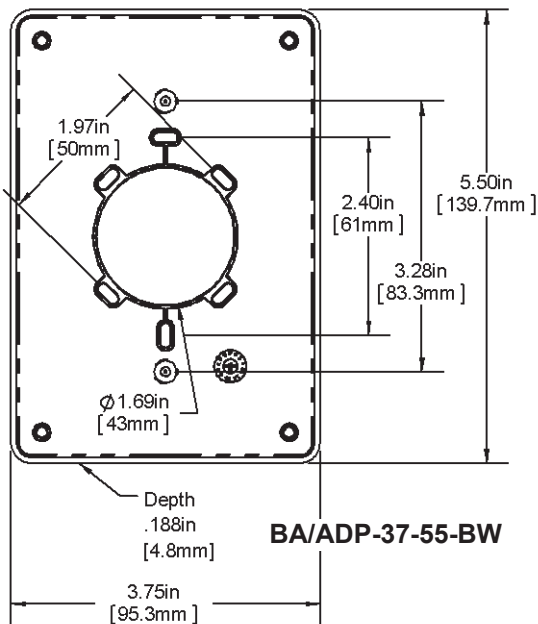
Color Reference



Specifications subject to change without notice.

Mounting and Dimensions

- The Adapter Plate can be mounted in a vertical or horizontal configuration on the application.
- When drilling pilot holes for the mounting screws, always drill from the backside of the plate. The pilot holes should be no larger than 9/64".
- Color matching screws will be included in every package for the unused drill holes. When these are used in the non-mounting holes, drill a pilot hole no larger than 3/32".
- All mounting holes are filled and must be drilled out for the application.



Specifications subject to change without notice.