



### Features & Options

- Reduces Temperature “Spikes” Caused By Opening the Cooler or Freezer Door
- Wirelessly Transmits the Temperature
- 100 Foot In-Building Range, Extendable to 1,000 Feet with a Repeater\*
- Receiver & Output Modules Convert the Wireless Data to Voltage, Current or Thermistor Resistive
- Buffer Chamber is 304 Stainless or Aluminum
- 8 Year Battery Life
- 2 Year Warranty



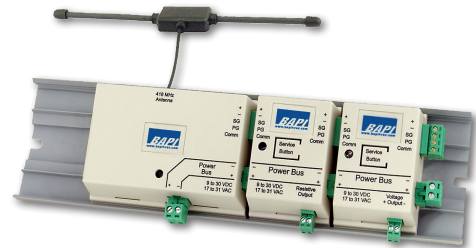
**Thermobuffer temperature sensor (2 inch probe shown)**

The BAPI Wireless 418 MHz Thermobuffer transmits the temperature of walk-in freezers or coolers to a receiver within 100 feet\*. The Thermobuffer slows the temperature reaction of a freezer door opening to prevent false alarms or short cycling the compressor.

The Thermobuffer features a watertight BAPI-Box enclosure and is designed to be mounted to the wall of the cooler or freezer saving valuable shelf space. It is available with a two-inch or four-inch stainless steel buffer chamber (optional aluminum) which is sealed with customer provided oil, or a 50/50 glycol solution to approximate the temperature reaction of the refrigerated contents in the freezer or cooler.

### Associated Products

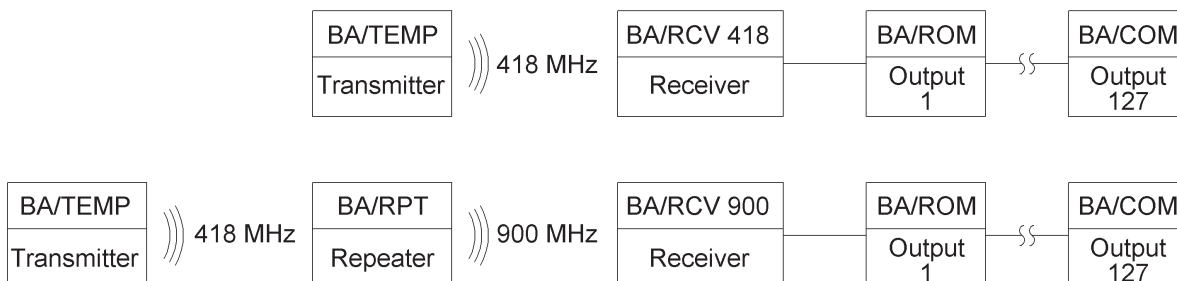
- **418 Receiver**  
Receives the RF signal from the transmitter or repeater and outputs the values to up to 127 different Analog Output Modules.
- **Repeater:**  
Extends the range of the Transmitter up to 1,000 feet.
- **Analog Output Modules:** Converts the signal from the Receiver into a Resistance, Voltage or Current for the DDC controller.



**418 MHz Receiver with two Analog Output Modules**

### Wireless Operation

The Wireless Thermobuffer measures the temperature through the buffer chamber and transmits the temperature approximately once every 20 seconds to a receiver which in-turn sends the signal to an analog output module. These output modules come in all the standard BAS analog inputs including Voltage, Current or Thermistor Resistance.





Rev. 04/16/15

# Thermobuffer Freezer Transmitter

# F11

## 418 MHz Wireless System

### Ordering Information

#### PART NUMBERS:

**BA/WT-TB-M304-2-BB**

Wireless Thermobuffer, 304 Stainless Steel Chamber, 2 inch probe, BAPI-Box Enclosure

**BA/WT-TB-M304-4-BB**

Wireless Thermobuffer, 304 Stainless Steel Chamber, 4 inch probe, BAPI-Box Enclosure

**BA/WT-TB-MAL-2-BB**

Wireless Thermobuffer, Machined Aluminum Chamber, 2 inch probe, BAPI-Box Enclosure

**BA/WT-TB-MAL-4-BB**

Wireless Thermobuffer, Machined Aluminum Chamber, 4 inch probe, BAPI-Box Enclosure

**BA/LI3620**

Lithium Ion AA Battery, 3.6V, for all Transmitters except the BAPI-Slim and Wireless Food Probe

*See end of Section F for list pricing.*

### Specifications

**Supply Power:** Two 3.6V Lithium batteries

**Battery Life:** 8 years at 20 second transmit rate

**Battery capacity:** 2.25 AH

**Sensor:** Built in thermistor

**Accuracy:** ±0.36°F (±0.2 °C)

**Temperature Range:** -40°F to 185°F  
(-40°C to 85°C)

**Radio Frequency:** 418 MHz

**Transmit Power:** 1.5mW

**Transmit Time:** 20ms

**Modulation:** Amplitude Modulation (AM)

**A/D Resolution:** 12 Bit

**Transmitter Interval:** ~20 seconds

**Antenna:** Built inside the enclosure

**Error checking:**

CRC 16, Cyclic Redundancy  
Check 16 bit

**Agency:** FCC ID#T4F060811TEMP

**Weight:** 2 lb (0.9kg)

**Environmental Operation Range:**

Temp: -22°F to 158°F (-30°C to 70°C)  
Humidity: 0% to 100% RH, Non-condensing

**Enclosure Rating:** NEMA 4, IP66

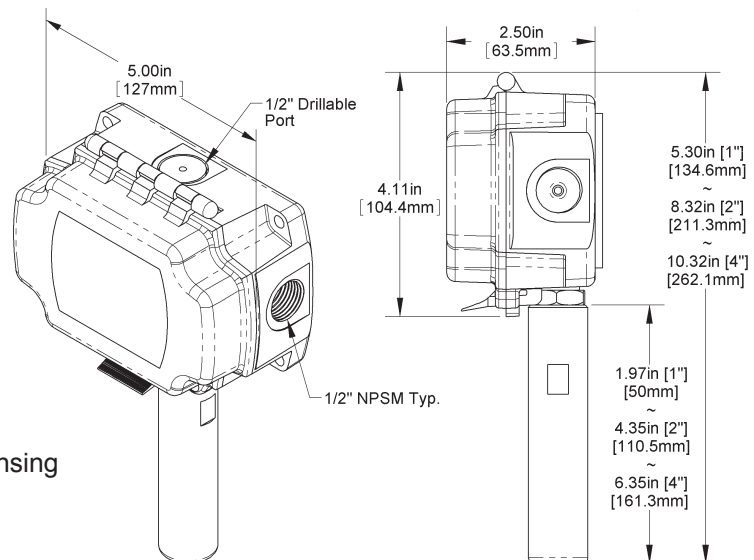
**Enclosure Material:** UV-Resistant Polycarbonate

**Material Rating:** UL94 V-0

**Probe:** 2 or 4 inch, ¼" 304 Stainless Steel

**Buffer chamber:** 2 or 4" 304 Stainless Steel  
(Optional machined aluminum)

**Warranty:** 2 Years



*Note: Unit requires food grade glycol antifreeze for proper operation.*

\*Actual in-building transmission distances will vary depending upon building construction and other factors.



Building Automation Products, Inc. • 750 North Royal Avenue, Gays Mills, WI 54631 USA  
Tel: +1-608-735-4800 • Fax: +1-608-735-4804 • Email: sales@bapivac.com • Web: www.bapivac.com

