



Features & Options

- 8 Year Battery Life (with two 3.6V lithium batteries, full AA size)
- 100 In-Building Foot Range, Extendable to 1,000 Feet with Repeater*
- Transmitted signals can be converted to Voltage, Current or Resistive Outputs for the Controller
- Probe Lengths: 2", 4" and 8" (fit standard BAPI Thermowells)
- Watertight BAPI-Box Enclosure and Stainless Steel Probes
- Etched Teflon Leadwires & Double Encapsulated Sensors
- 2 Year Warranty



**Wireless Immersion
Temperature Transmitter**

BAPI Wireless 418 MHz Immersion Transmitters are available in 2", 4" and 8" probe lengths. The sensor is potted inside a 1/4" stainless steel probe with thermally conductive epoxy. The Immersion Units come with etched teflon leadwires, double encapsulated sensors and a BAPI-Box enclosure to withstand high humidity and condensation and perform under real world conditions.

The Wireless Immersion Temperature Transmitter measures the temperature and transmits the data through 418MHz RF to a receiver. It has an in-building range of 100 feet* and an estimated battery life of 8 years using two high-capacity 3.6V lithium batteries with a transmit rate of about once every 20 seconds. Each transmitter has a unique address with built in error detection. Each variable sent by the transmitter is picked up by the receiver and converted by a BAPI Analog Output Module to a voltage, current or resistance signal which is sent to the controller.

BAPI Thermowells

Immersion Unit Probes are designed to be inserted into a Thermowell. BAPI Thermowells are available in machined stainless steel or brass, or welded stainless steel, in lengths to match our Immersion Unit Probe Lengths. For more info, see the Temp section.



- PART #: BA/WT-I-2"** - Wireless Immersion Temperature Transmitter, 2" Probe Length
PART #: BA/WT-I-4" - Wireless Immersion Temperature Transmitter, 4" Probe Length
PART #: BA/WT-I-8" - Wireless Immersion Temperature Transmitter, 8" Probe Length
PART #: BA/LI3620 - Lithium Battery 3.6V (for Wireless Transmitters)

See end of Section F for list pricing.

*Custom Lengths of 1/4" Diameter Stainless Steel Probe are Available. Call BAPI for more information.

Specifications

Supply Power: Two 3.6V Lithium batteries, 8 year battery life at 20 second transmit rate

Inputs: Built in thermistor

Accuracy: $\pm 0.36^{\circ}\text{F}$ ($\pm 0.2^{\circ}\text{C}$)

Transmitted Range: -40 to 185°F (-40 to 85°C)

Environmental Operation Range:

Temp: -40 to 185°F (-40 to 85°C)

Humidity: 0% to 100% RH, non-condensing

Enclosure Rating: IP66

Enclosure Material: UV-Resistant Polycarbonate

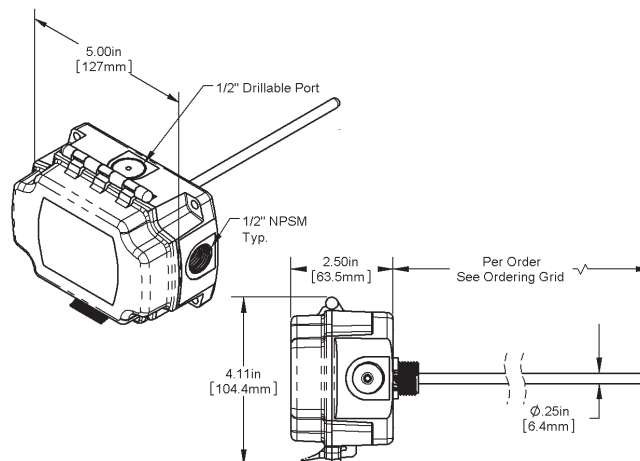
Material Rating: UL94 V-0

Radio Frequency: 418 MHz

Transmitter Interval: ~20 seconds

Antenna: Built inside the enclosure

FCC Approval: FCC ID# T4F060811TEMP



*Actual in-building transmission distances will vary depending upon building construction and other factors.

