



Features & Options

- 8 Year Battery Life (with two 3.6 volt lithium batteries, full AA size)
- 100 Foot In-Building Range, Extendable to 1,000 Feet with Repeater*
- Transmitted signals can be converted to Voltage, Current or Resistive Outputs for the Controller
- Probe Lengths: 4", 8", 12" and 18"
- Watertight BAPI-Box Enclosure and Stainless Steel Probes
- Etched Teflon Leadwires & Double Encapsulated Sensors
- 2 Year Warranty



**Wireless Duct
Temperature Transmitter**

BAPI Wireless Duct 418 MHz Temperature Transmitters feature closed cell foam to seal the probe insertion hole and to absorb vibration. Mounting feet allow for easy installation directly to the wall of the duct. The Duct Units come with etched teflon leadwires, double encapsulated sensors and a watertight BAPI-Box enclosure to withstand high humidity and condensation and perform under real world conditions. The units are available with probe lengths from 4" to 18" to accommodate most duct shapes and sizes. Custom probe lengths are also available.

The Wireless Duct Temperature Transmitter measures the duct temperature and transmits the data through 418MHz RF to a receiver. It has an in-building range of 100 feet* and an estimated battery life of 8 years using two high-capacity 3.6V lithium batteries with a transmit rate of about once every 20 seconds. Each transmitter has a unique address with built in error detection. Each variable sent by the transmitter is picked up by the receiver and converted by a BAPI Analog Output Module to a voltage, current or resistance signal which is sent to the controller.

PART NUMBER: BA/WT-D-4" - Wireless Duct Temperature Transmitter, 4" Probe Length
PART NUMBER: BA/WT-D-8" - Wireless Duct Temperature Transmitter, 8" Probe Length
PART NUMBER: BA/WT-D-12" - Wireless Duct Temperature Transmitter, 12" Probe Length
PART NUMBER: BA/WT-D-18" - Wireless Duct Temperature Transmitter, 18" Probe Length
PART NUMBER: BA/WT-D-XX* - Wireless Duct Temperature Transmitter, Custom Probe Length
PART NUMBER: BA/LI3620 - Lithium Battery 3.6V (for Wireless Transmitters)

See end of Section F for list pricing.

**Custom Lengths of 1/4" Diameter Stainless Steel Probe are Available. Call BAPI for more information.*

Specifications

Supply Power: Two 3.6V Lithium batteries, 8 year battery life at 20 second transmit rate

Inputs: Built in thermistor

Accuracy: $\pm 0.36^{\circ}\text{F}$ ($\pm 0.2^{\circ}\text{C}$)

Transmitted Range: -40 to 185°F (-40 to 85°C)

Environmental Operation Range:

Temp: -40 to 185°F (-40 to 85°C)

Humidity: 0% to 100% RH, non-condensing

Enclosure Rating: IP66

Enclosure Material: UV-Resistant Polycarbonate

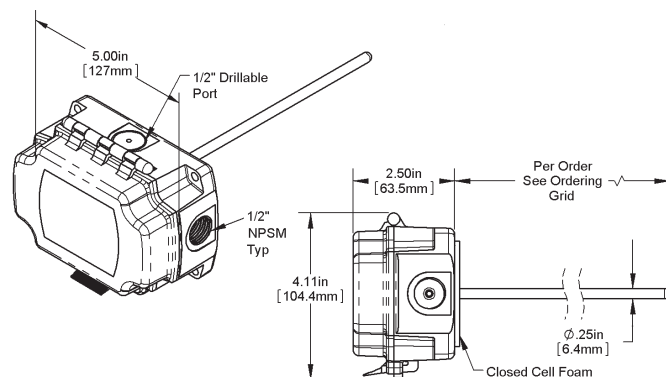
Material Rating: UL94 V-0

Radio Frequency: 418 MHz

Transmitter Interval: ~20 seconds

Antenna: Built inside the enclosure

FCC Approval: FCC ID# T4F060811TEMP



*Actual in-building transmission distances will vary depending upon building construction and other factors.

